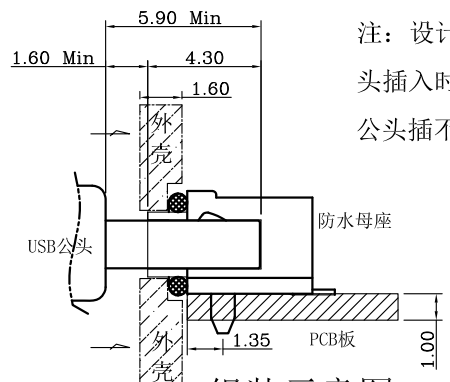
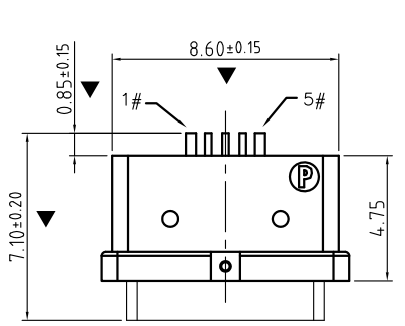


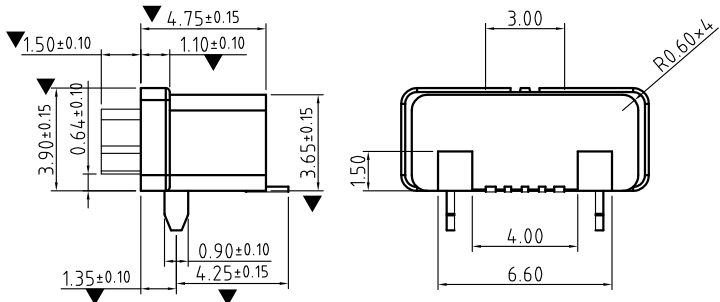
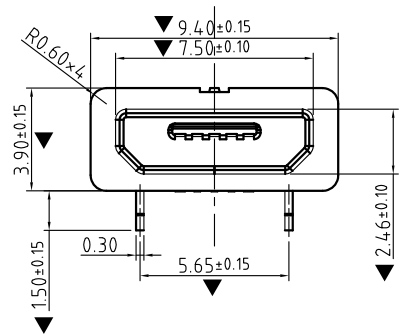
REV.	ECN.NO.	APPD.
A	EXXXXXXXXXX	chenyiting



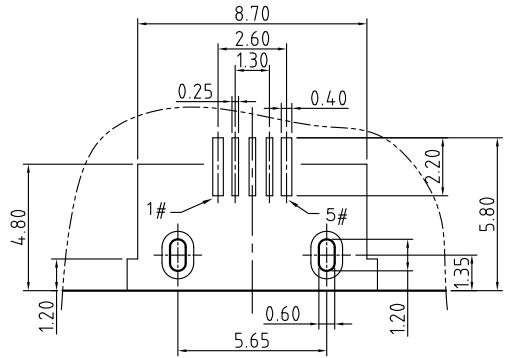
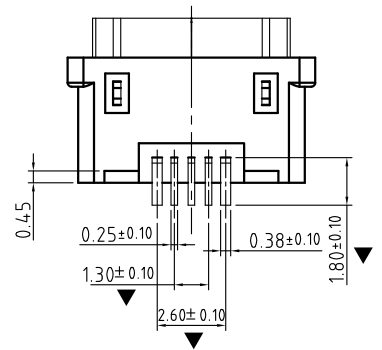
注：设计时，请注意公头插入时的距离，防止公头插不到位。

组装示意图

- NOTES:
- MATERIAL:
 - Housing: thermoplastic plastics,
 - terminals: Copper Alloy
Gold plated overall
 - Shell: Steel & Copper Alloy
Nickel/Tin Plated overall
 - ELECTRICAL CHARACTERISTICS:
 - Rating Current : 1.5 Ampere
 - Rating Voltage : 30 V Max
 - Contact Resistance: 50 Milli ohms
 - Insulation Resistance: 100 Mega ohms Min.
 - MECHANICAL CHARACTERISTICS:
 - Connector Mating force: 35N MAX
 - Connector Unmating force: 7N min
 - ENVIRONMENT CHARACTERISTICS:
 - Operating temperature: -0°C to +50°C
 - Storage temperature: -20°C to +60°C

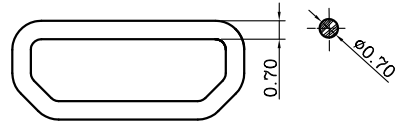


U442-0010-XXX0X8
 G: 半金G/Fu"
 9: PA10T
 1: 吸塑盒
 1: 黑色



P.C.B LAYOUT

Contact Number	Signal Name	Remarks
1#	VBUS	Power
2#	D-	Date-
3#	D+	Date+
4#	ID	Reserve or Gound
5#	GND	Gound



注：防水圈是圆形截面，直径为0.7mm的硅胶圈
 防水圈挤压力量，由0.7mm挤压到0.3mm ~ 0.4mm，防水效果好

TOLERANCE UNLESS OTHERWISE SPECIFIED		FLW 深圳市华联威电子科技有限公司 HUA LIAN WEI TECHNOLOGY ELECTRONICS CO;LTD.				
.XXX ±0.10	.XX ±0.20	.X ±3'				
.X ±0.30	.XX' ±2'					
APPROVED		PART NAME:	MICRO 5P 90度SMT全塑防水6级			
CHECKED		PART No:	U442-0010-G91018		C	
DRAWN	chenyiting	PROJECTION:	UNIT:	SCALE	SHEET	REV.
DATE	2023.08.20		mm	1:1	1 OF 1	A