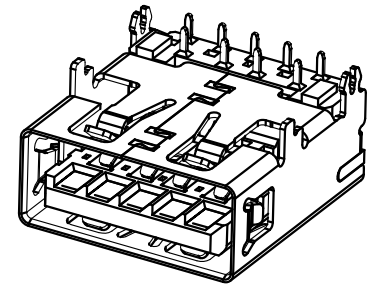
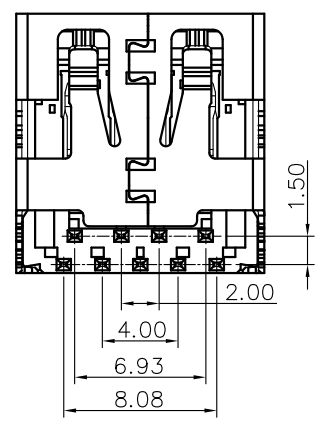
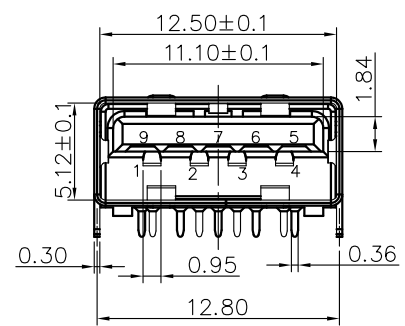
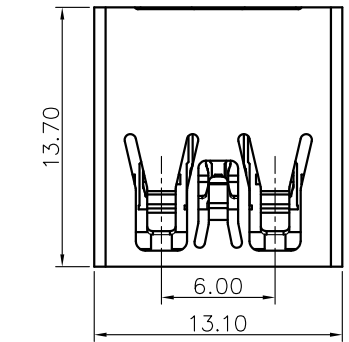
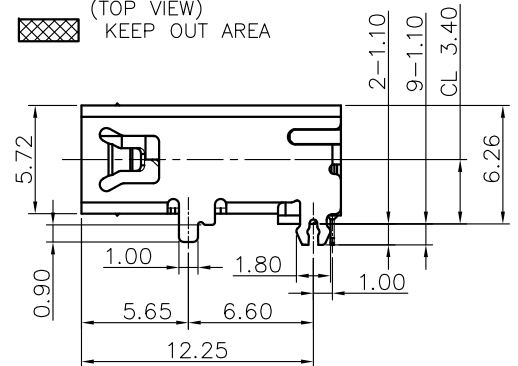
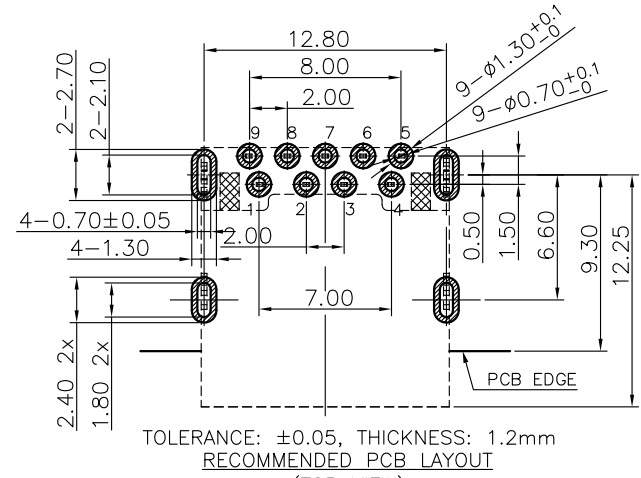
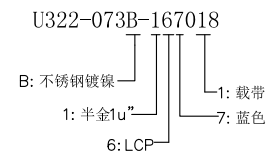


REV.	ECN.NO.	APPD.
A	/	/



- Remark:
- MATERIAL:
 - Housing:thermoplastic plastics.
 - terminals:Copper Alloy
 - Front Shell:Copper Alloy/SPCC
Middle Shell:SPCC
 - characteristics:
 - Rating Voltage : 30V AC.
 - Rating Current:PIN1&PIN4(Vbus&Correponding ground PIN)
1.8A MAX Other PINS 0.25A min.
 - Contact Resistance:PIN1&PIN4:30 mΩ MAX. Other PINS: 50 mΩ
 - Insulation Resistance:100 MΩ MIN.
 - Withstanding Voltage:AC 100V between adjacent contacts
 - Mating force: 3.57Kgf MAX(35N MAX)
 - Extraction force:1Kgf Min(9.8N Min)
 - Life test:1500Cycles MIN.
 - Temperature Range: -30℃~+80℃.



Pin #	SIGNAL NAME	DESCRIPTION	MATING SEQUENCE
1	VBUS	POWER	SECOND
2	D-	USB 2.0 DIFFERENTIAL PAIR	THIRD
3	D+		
4	GND	GROUND FOR POWER RETURN	SECOND
5	StdA_SSRX-	SUPERSPEED RECEIVER DIFFERENTIAL PAIR	LAST
6	StdA_SSRX+		
7	GND_DRAIN	GROUND FOR SIGNAL RETURN	
8	StdA_SSTX-	SUPERSPEED TRANSMITTER DIFFERENTIAL PAIR	
9	StdA_SSTX+		
Shell	Shield	CONNECTOR METAL SHELL	FRIST

TOLERANCE UNLESS OTHERWISE SPECIFIED		FLW 深圳市华联威电子科技有限公司 HUA LIAN WEI TECHNOLOGY ELECTRONICS CO;LTD.									
.XXX ±0.10	.XX ±0.20	.X ±0.30	.X' ±3'	.XX' ±2'	APPROVED		PART NAME:	USB 3.0 AF 90度 H=6.26			
CHECKED		chenyiting		PROJECTION:		PART No:		U322-073B-167018		C	
DRAWN		chenyiting		DATE		2022.03.23		UNIT:	SCALE	SHEET	REV.
DATE		2022.03.23		mm		1:1		10F1		A	