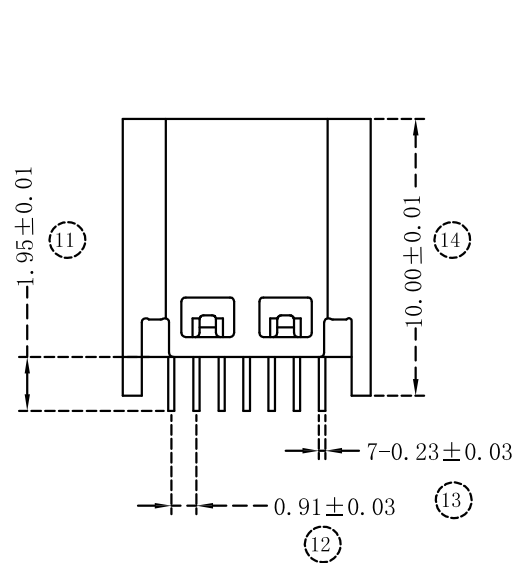
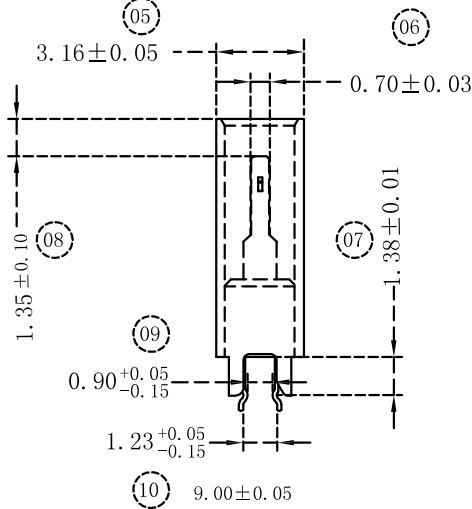
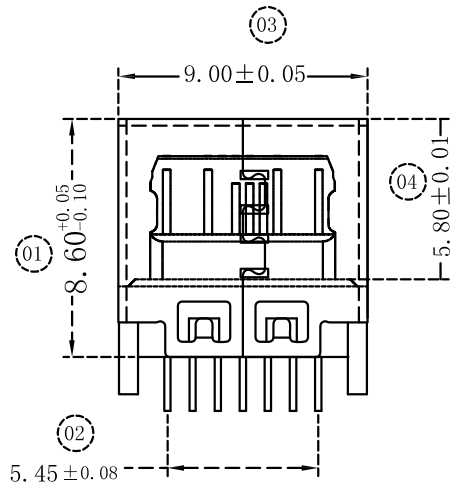
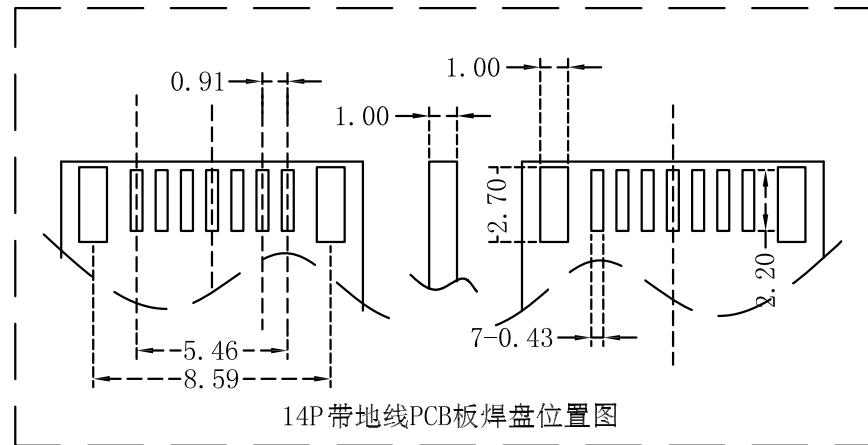
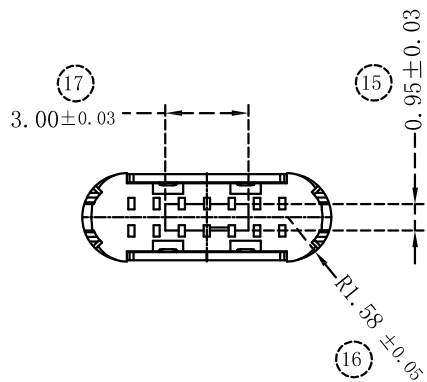


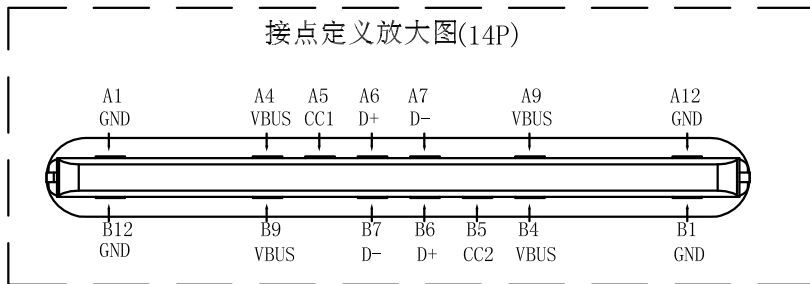
REV.	ECN. NO.	APPD.
A	/	/



- NOTES:
- MATERIAL:
    - Housing:thermoplastic plastics
    - terminals:Copper Alloy
    - Gold plated in contact area:
    - Tin plated in termination
    - Nickel Plated overall
  - Shell:Steel&Copper Alloy
  - Nickel/Au Plated overall
- 2.characteristics:
- Rating Voltage : 30V AC.
  - Rating Current:
    - 5A for Vbus PIN;1.25A for Vconn PIN
  - Contact Resistance:40 mΩ MAX.
  - Insulation Resistance:100 MΩ MIN.
  - Withstanding Voltage:AC 100V
  - Mating force: 5~20N MAX
  - Extraction force:8~20N Min
  - Life test:10000Cycles MIN.
  - Temperature Range: -30℃~+80℃.
- The product must be compliance ROHS



U529-012B-G61018  
 B: 不锈钢镀镍  
 G: 半金G/Fu  
 6:LCP  
 1: 吸塑盒  
 1: 黑色



A1-06-002-A/0

TOLERANCE UNLESS OTHERWISE SPECIFIED		<b>FLW 深圳市华联威电子科技有限公司</b>				
.XXX ±0.10		HUA LIAN WEI TECHNOLOGY ELECTRONICS CO.;LTD.				
.XX ±0.20		.X° ±3°				
.X ±0.30		.XX° ±2°				
APPROVED		PART NAME:	TYPE C 14P 夹板1.2			
CHECKED		PART No:	U529-012B-G61018		C	
DRAWN	weihong	PROJECTION:	UNIT:	SCALE	SHEET	REV.
DATE	2021. 11. 06		mm	1:1	10F1	A