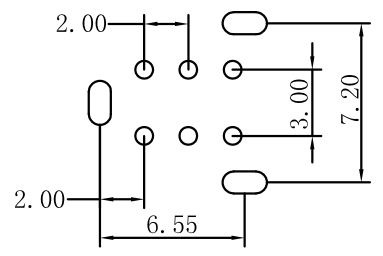
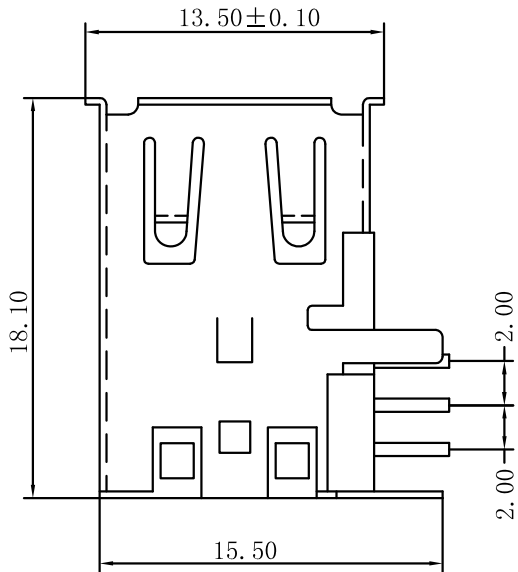
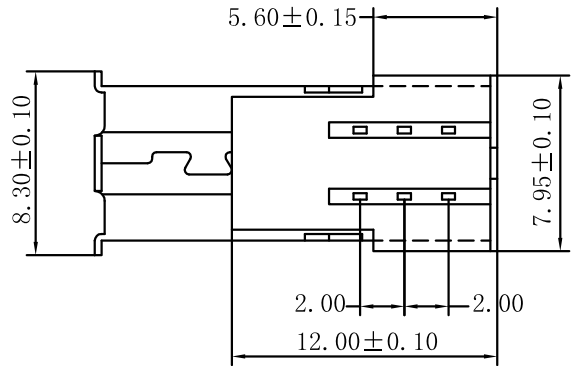
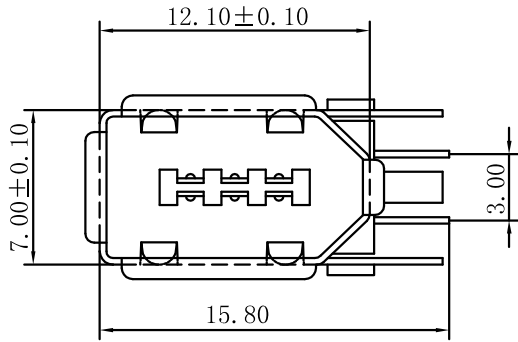


| REV. | ECN.NO. | APPD. |
|------|---------|-------|
| AO   | /       | /     |



PCB LAYOUT

- NOTES:
- MATERIAL:
    - Housing:thermoplastic plastics
    - terminals:Copper Alloy  
Gold plated in contact area:  
Tin plated in termination  
Nickel Plated overall
    - Shell:Steel&Copper Alloy  
Nickel Plated overall
  - ELECTRICAL CHARACTERISTICS:
    - Rating Current :1.5 Ampere
    - Rating Voltage :30 V Max
    - Contact Resistance:30 Milli ohms
    - Insulation Resistance:1000 Mega ohms Min.
  - MECHANICAL CHARACTERISTICS:
    - Connector Mating force: 35N MAX(3.57Kgf)
    - Connector Unmating force:10N min(1.02Kgf)
    - Durability:1500Cycles.
  - ENVIRONMENT CHARACTERISTICS:
    - Operating temperature:-0°C to +50°C
    - Storage temperature:-20°C to +60°C

1321-0125-XXX018  
 G: Au G/Fu”  
 1: Black  
 2: LCP

| TOLERANCE UNLESS OTHERWISE SPECIFIED |            | FLW 深圳市华联威电子科技有限公司<br>HUA LIAN WEI TECHNOLOGY ELECTRONICS CO;LTD. |         |             |                  |                 |       |      |
|--------------------------------------|------------|---|---------|-------------|------------------|-----------------|-------|------|
| .XXX ±0.10                           | .X' ±3'    | PART NAME:  |         |             |                  | 1394 6P/F 90度侧插 |       |      |
| .XX ±0.20                            | .XX' ±2'   | PART No:  |         |             | 1321-0125-G21018 | C               |       |      |
| .X ±0.30                             |            | DRAWN   | weihong | PROJECTION: | UNIT:            | SCALE           | SHEET | REV. |
| DATE                                 | 2021.09.06 |   |         | mm          | 1:1              | 10F1            | AO    |      |