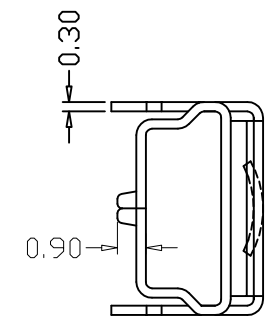
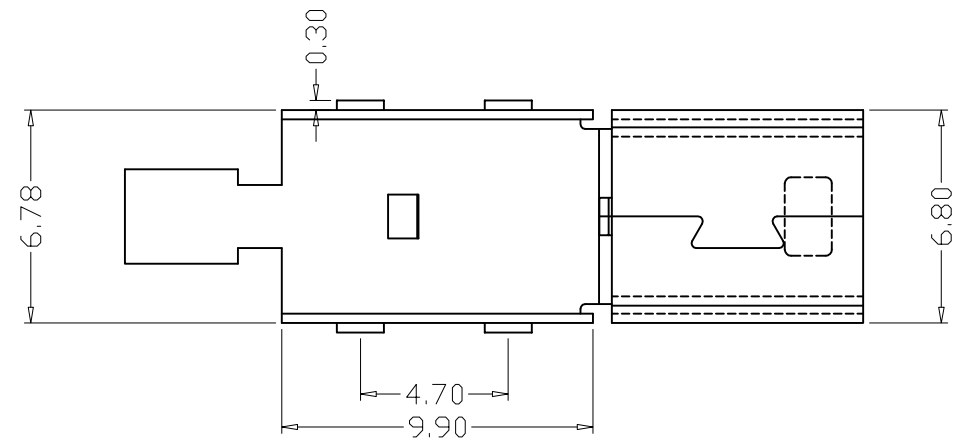
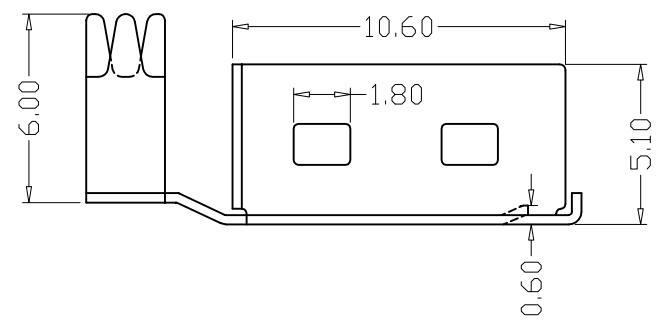
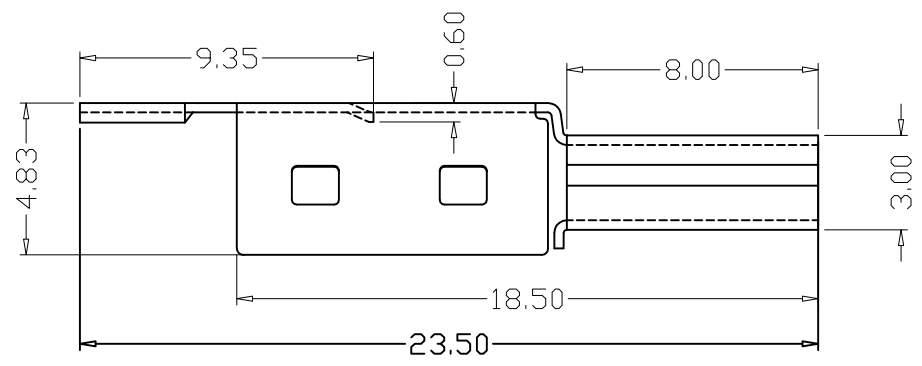


9 8 7 6 5 4 3 2 1

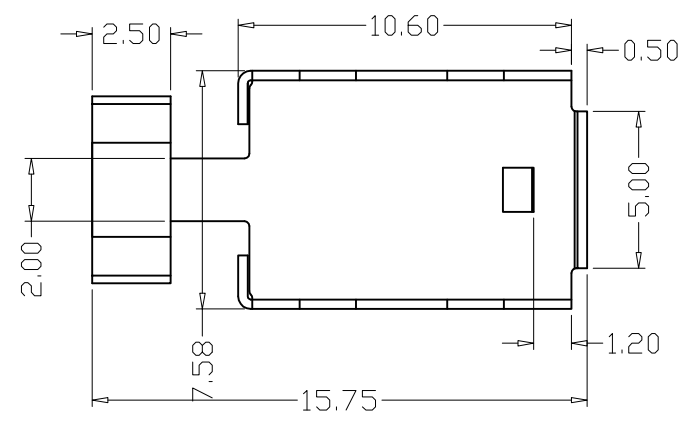
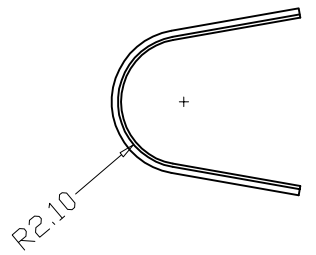
REV.	ECN.NO.	APPD.
A	/	LXQ

F  
E  
D  
C  
B  
A



71U1-1201-XXR

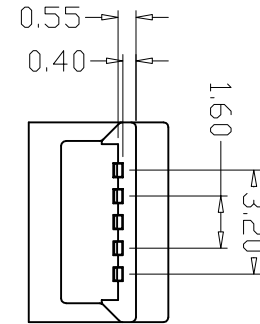
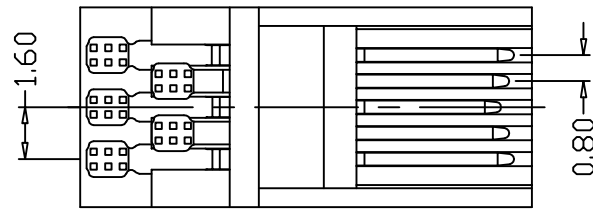
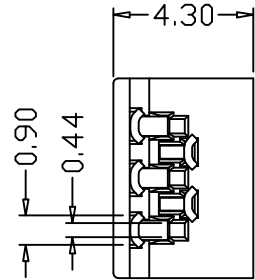
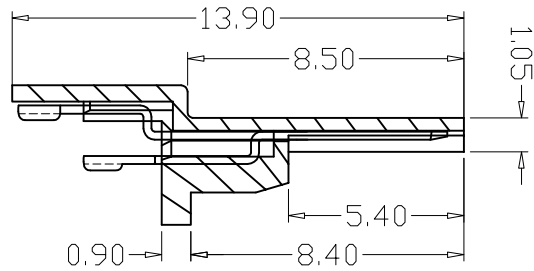
- 1: C2680
  - 2: C5191
  - 3: C5210
  - 9: SPCC
- 1: 镀镍
  - 2: 镀雾锡
  - 3: 镀金
  - 4: 镀亮锡
  - 5: 镀镍, 24H



TOLERANCE UNLESS OTHERWISE SPECIFIED		深圳市华联威电子科技有限公司 HUA LIAN WEI TECHNOLOGY ELECTRONICS CO;LTD.				
.XXX ±0.10	.XX ±0.20	.X ±0.30	.X' ±3'	.XX' ±2'	APPROVED: PART NAME: MINI 5P 三件套外壳	
CHECKED	leixianqiang	PROJECTION:	UNIT: mm	SCALE: 1:1	SHEET: 10F1	REV: C
DATE: 2014.08.11						

9 8 7 6 5 4 3 2 1

REV.	ECN.NO.	APPD.
A	/	LXQ



- 90U5-121-XXX08
- 1: PA66
  - 2: PBT
  - 6: LCP
  - 1: 黑色
  - 2: 白色
  - 3: 米黄色
  - 1: 半金1u"
  - 3: 半金3u"
  - 5: 半金5u"
  - 8: 半金15u"
  - 9: 镀全金1u"
  - 4: 镀全亮锡
- R: RoHS  
8: RoHS UL94V-0

TOLERANCE UNLESS OTHERWISE SPECIFIED		深圳市华联威电子科技有限公司 HUA LIAN WEI TECHNOLOGY ELECTRONICS CO.,LTD.				
.XXX ±0.10	.XX ±0.20	.X ±0.30	.X' ±3'	.XX' ±2'		
APPROVED		PART NAME:	MINI 5P 三件套主体			
CHECKED		PART No:	90U5-121-61108	C		
DRAWN	leixianqiang	PROJECTION:	UNIT:	SCALE:	SHEET:	REV.:
DATE	2014.08.11		mm	1:1	10F1	A