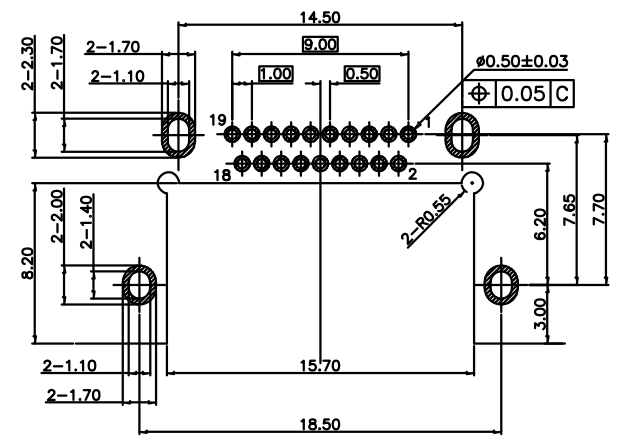
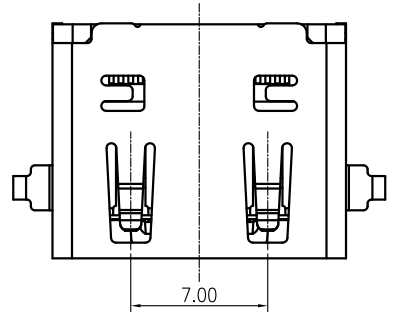
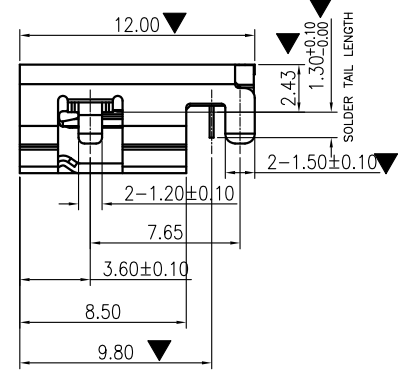
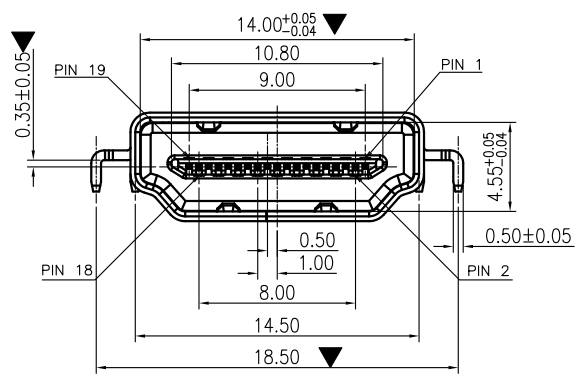


REV.	ECN.NO.	APPD.
A	/	chenyiting



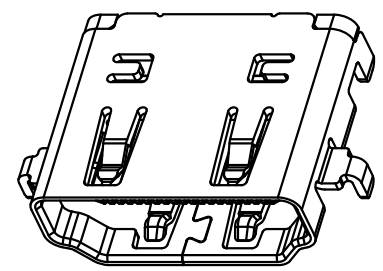
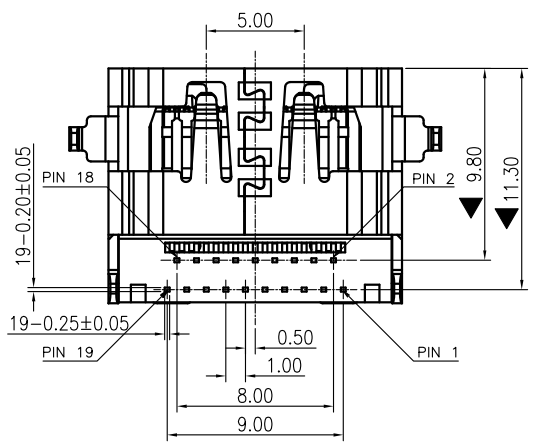
RECOMMENDED P.C.B. LAYOUT
TOLERANCE UNSPECIFIED ± 0.05 mm



- NOTES:
- MATERIAL:
 - Housing: thermoplastic plastics
 - terminals: Copper Alloy
Gold plated in contact area:
Tin plated in termination
Nickel Plated overall
 - Shell: Steel & Copper Alloy
Nickel/Au Plated overall
 - ELECTRICAL CHARACTERISTICS:
 - Rating Current : 0.5 Ampere
 - Rating Voltage : 40 V Max
 - Contact Resistance: 30 Milli ohms
 - Insulation Resistance: 100 Mega ohms Min.
 - MECHANICAL CHARACTERISTICS:
 - Connector Mating force: 4.5kg MAX
 - Connector Unmating force: 1.0Kg min
 - Durability: 10000 Cycles.
 - ENVIRONMENT CHARACTERISTICS:
 - Operating temperature: -20°C to +85°C
 - Storage temperature: -20°C to +65°C

HD27-1201-G61018

- 1: 铁壳镀镍
- 1: 吸塑盒
- G: 半金G/Fu
- 1: 黑色
- 6: LCP



TOLERANCE UNLESS OTHERWISE SPECIFIED		FLW 深圳市华联威电子科技有限公司 HUA LIAN WEI TECHNOLOGY ELECTRONICS CO.;LTD.				
.XXX ± 0.10	.XX ± 0.20	.X ± 0.30	.X' $\pm 3'$			
APPROVED		PART NAME:	HDMI 沉板 2.43 正向			
CHECKED		PART No:	HD27-1201-G61018	C		
DRAWN	chenyiting	PROJECTION:	UNIT:	SCALE:	SHEET:	REV.:
DATE	202204.21		mm	1:1	1 OF 1	A