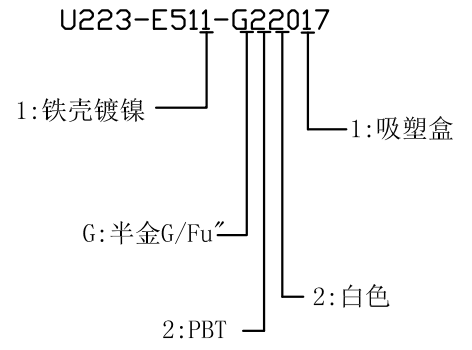
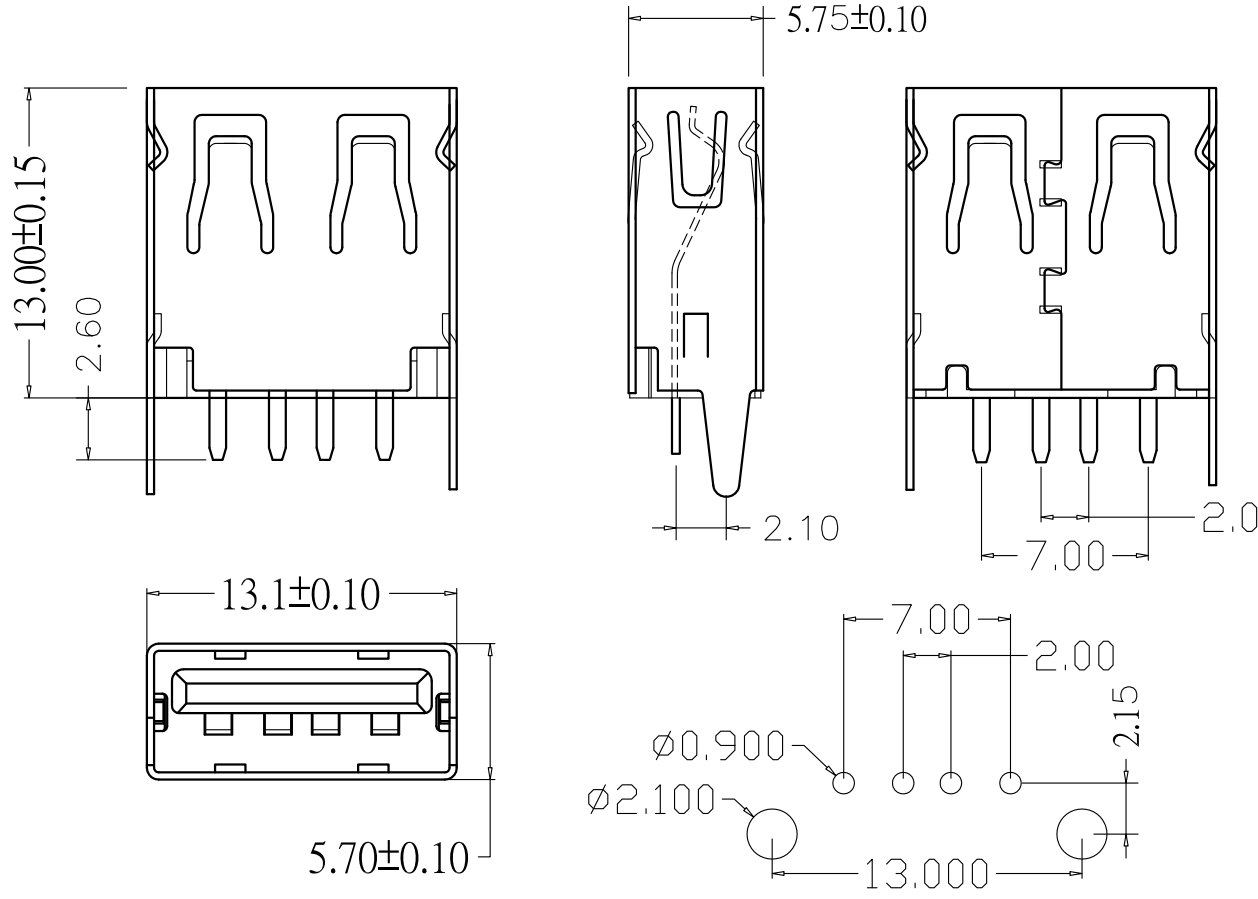


REV.	ECN.NO.	APPD.
A	XXXXXXXXXX	chenyiting

- NOTES:
- MATERIAL:
    - Housing:thermoplastic plastics
    - terminals:Copper Alloy  
Gold plated in contact area:  
Tin plated in termination  
Nickel Plated overall
    - Shell:Steel&Copper Alloy  
Nickel Plated overall
  - ELECTRICAL CHARACTERISTICS:
    - Rating Current :1.5 Ampere
    - Rating Voltage :30 V Max
    - Contact Resistance:30 Milli ohms
    - Insulation Resistance:1000 Mega ohms Min.
  - MECHANICAL CHARACTERISTICS:
    - Connector Mating force: 35N MAX(3.57Kgf)
    - Connector Unmating force:10N min(1.02Kgf)
    - Durability:1500Cycles.
  - ENVIRONMENT CHARACTERISTICS:
    - Operating temperature:-0°C to +50°C
    - Storage temperature:-20°C to +60°C



TOLERANCE UNLESS OTHERWISE SPECIFIED		HUA LIAN WEI TECHNOLOGY ELECTRONICS CO;LTD.					
.XXX ±0.10		HUA LIAN WEI TECHNOLOGY ELECTRONICS CO;LTD.					
.XX ±0.20		HUA LIAN WEI TECHNOLOGY ELECTRONICS CO;LTD.					
.X ±0.30		HUA LIAN WEI TECHNOLOGY ELECTRONICS CO;LTD.					
X* ±3°		HUA LIAN WEI TECHNOLOGY ELECTRONICS CO;LTD.					
.XX* ±2°		HUA LIAN WEI TECHNOLOGY ELECTRONICS CO;LTD.					
APPROVED		PART NAME:	AF直插13.0直脚无卷边				
CHECKED		PART No:	U223-E511-G22017				C
DRAWN	chenyiting	PROJECTION:	UNIT:	SCALE	SHEET	REV.	
DATE	2023.07.17		mm	1:1	10F1	A	