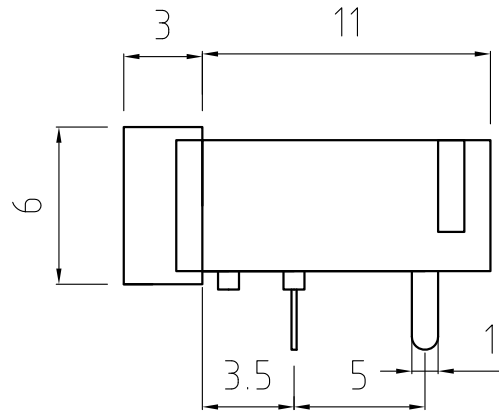
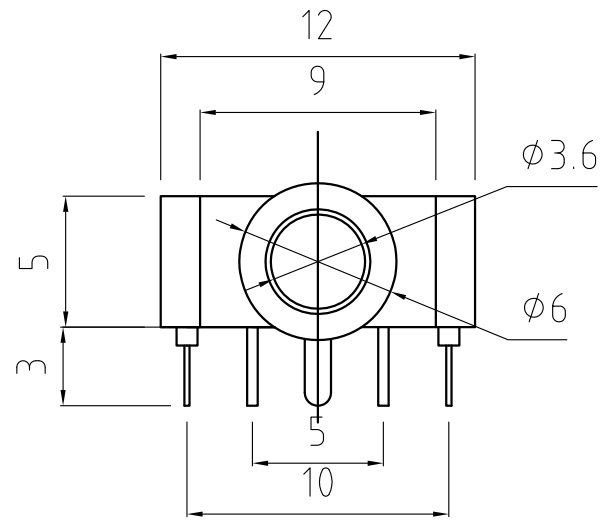
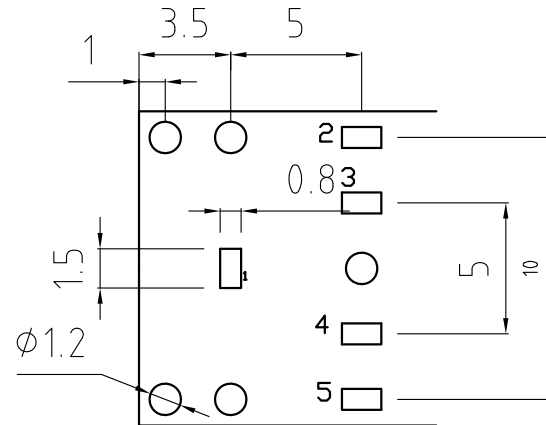


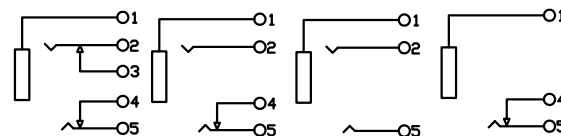
REV.	ECN.NO.	APPD.
A	EXXXXXXXXXXX	chenyiting



- 1.CURRENT RATING : 1.0 AMP. MAX.
- 2.DIELECTRIC WITHSTANDING : AC 500V/min R.M.S.
- 3.INSULATION RESISTANCE : 100M Ω min. AT 100V DC.
- 4.CONTACT RESISTANCE : 50m Ω MAX.
- 5.OPERATING TEMPERATURE : -25°C TO +85°C.
- 6.DURABILITY : 1500 CYCLES
- 7.MATING FORCE : 3kgs MAX
- 8.UNMATING FORCE : 0.3~3.0kgs
- 9.MAX PROCESSING TEMPERATURE :
60 SECONDS IN 230°C AND 10 SECONDS IN 260°C



JK1-246-H2V7
H: 镀铜锡
V: 绿色
2: PBT



TOLERANCE UNLESS OTHERWISE SPECIFIED		FLW 深圳市华联威电子科技有限公司				
.XXX ±0.10	.XX ±0.20	HUA LIAN WEI TECHNOLOGY ELECTRONICS CO;LTD.				
.X ±0.30	.X' ±3'					
	.XX' ±2'					
APPROVED		PART NAME:	JACK 90度直径3.6			
CHECKED		PART No:	JK1-246-H2V7	C		
DRAWN	chenyiting	PROJECTION:	UNIT:	SCALE:	SHEET:	REV.:
DATE	2022.06.09		mm	1:1	1 OF 1	A