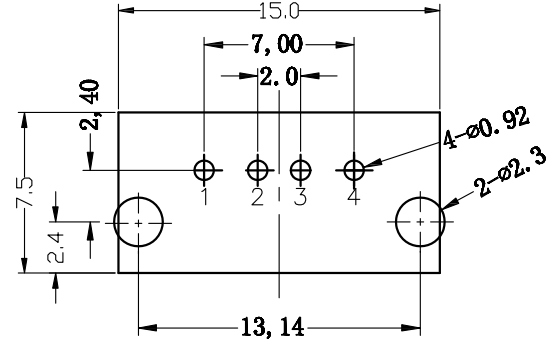
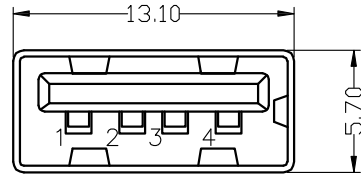
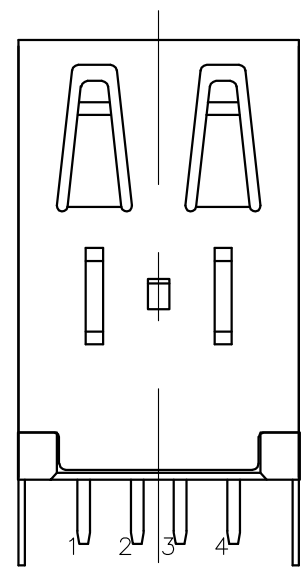
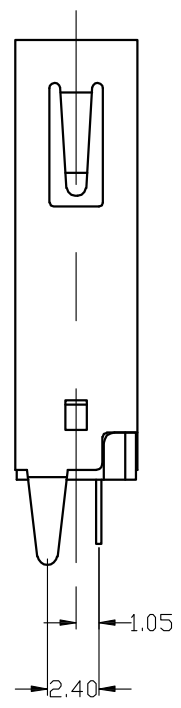
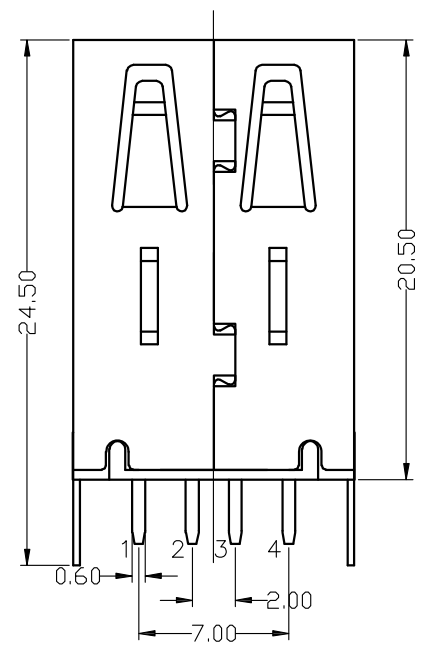


REV.	ECN.NO.	APPD.
A0	/	pcy



**Recommended P. C. B. Layout  
Thickness:1.6 MIN**

- NOTES:
- MATERIAL:
    - Housing:thermoplastic plastics
    - terminals:Copper Alloy  
Gold plated in contact area:  
Tin plated in termination  
Nickel Plated overall
    - Shell:Steel&Copper Alloy  
Nickel Plated overall
  - ELECTRICAL CHARACTERISTICS:
    - Rating Current :1.5 Ampere
    - Rating Voltage :30 V Max
    - Contact Resistance:30 Milli ohms
    - Insulation Resistance:1000 Mega ohms Min.
  - MECHANICAL CHARACTERISTICS:
    - Connector Mating force: 35N MAX(3.57KgF)
    - Connector Unmating force:10N min(1.02KgF)
    - Durability:1500Cycles.
  - ENVIRONMENT CHARACTERISTICS:
    - Operating temperature:-0°C to +50°C
    - Storage temperature:-20°C to +60°C



U223-0821-G22117

1:铁壳镀镍  
G:半金G/Fu”  
1:吸塑盒  
2:白色  
2:PBT

TOLERANCE UNLESS OTHERWISE SPECIFIED		<b>FLW</b> 深圳市华联威电子科技有限公司 HUA LIAN WEI TECHNOLOGY ELECTRONICS CO;LTD.			
.XXX ±0.10	.XX ±0.20	.X ±0.30	.X ±0.30	.X ±0.30	.X ±0.30

Contact Number	Signal Name
1	VBUS
2	D-
3	D+
4	GND

APPROVED		PART NAME:	USB AF 180度直插20.5直脚 无卷边			
CHECKED		PART No:	U223-0821-G22117		C	
DRAWN	Lijinfeng	PROJECTION:	UNIT:	SCALE	SHEET	REV.
DATE	2021.08.03		mm	1:1	10F1	A0