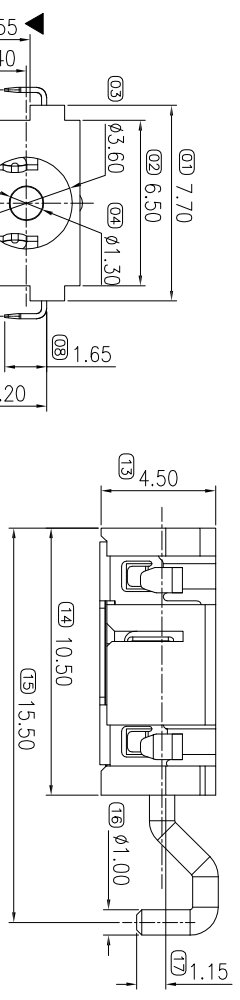
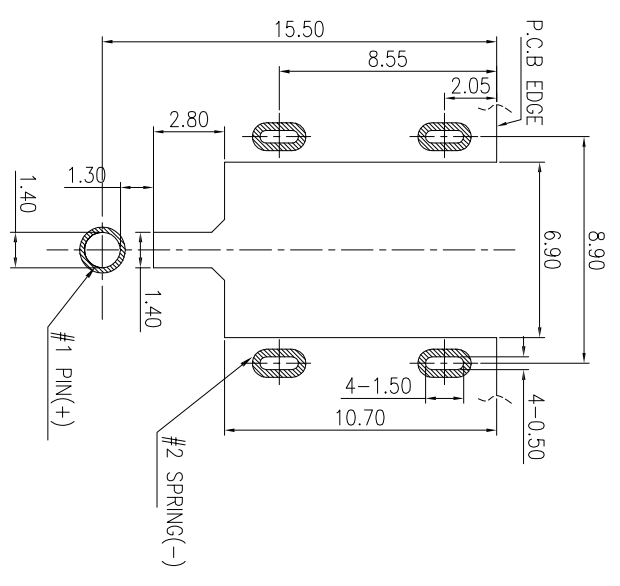
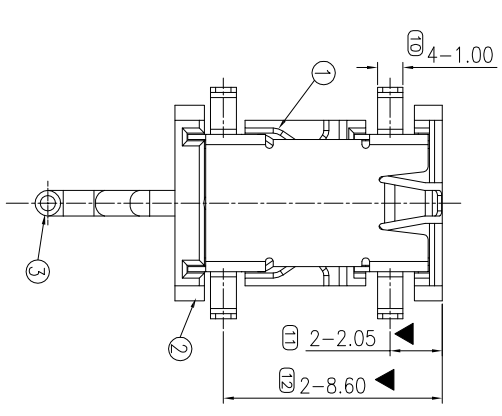


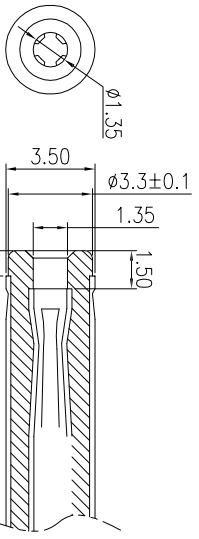
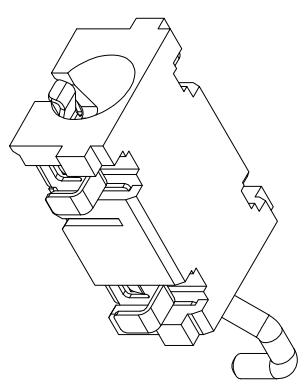
REV.	ECH. NO.	APPD.
A	EXXXXXXXXXXX	yongguifeng



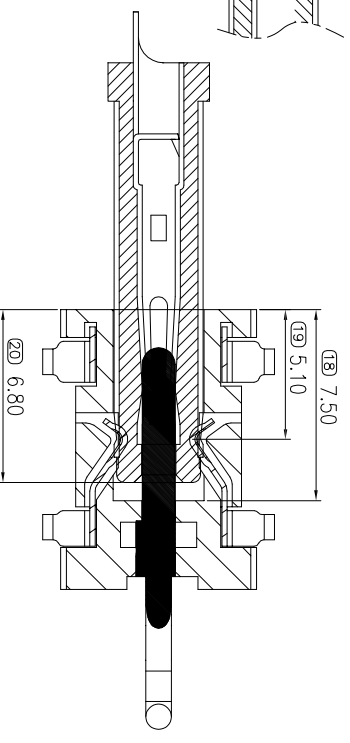
- SPECIFICATIONS:
- ELECTRICAL CHARACTERISTICS:
    - RATING: 24V 3A
    - CONTACT RESISTANCE: 30mΩ MAX.(INITIAL)
    - DIELECTRIC WITHSTANDING VOLTAGE: 500V AC FOR ONE MINUTE
    - INSULATION RESISTANCE: 100MΩ MIN. MEASURED BY 500V DC
  - MECHANICAL CHARACTERISTICS:
    - INSERTION FORCE : 0.3~3.0 KGf
    - WITHDRAWAL FORCE : 0.3~3.0 KGf
    - LIFE TEST: 5,000 CYCLES MIN.
    - FOR REFLOW SOLDERING LEAD-FREE PROCESS.
    - REPRESENT CRITICAL DIMENSIONS.
    - CPK CONTROLLED DIMENSIONS.



RECOMMENDED PCB LAYOUT  
TOP VIEW (TOLERANCE:±0.05)



MATE PLUG



DC JACK INSERT DEPTH

- JK1-207-XXXX7
- 1: 半金1u"
  - 3: 半金3u"
  - 5: 半金5u"
  - G: 半金G/Fu"
  - 9: 镀全金1u"
  - 4: 镀全亮锡
  - 1: PA66
  - 2: PBT
  - 8: PAA
  - 1: 黑色
  - 2: 白色
  - 3: 米黄色

TOLERANCE UNLESS OTHERWISE SPECIFIED	XXX ±0.10	XX ±0.20	X ±0.30	X' ±3	XX' ±2
<b>HLW</b> 深圳市华联威电子科技有限公司					
HUA LIAN WEI TECHNOLOGY ELECTRONICS CO.,LTD.					

APPROVED		PART NAME:	DC 沉板2.55中心柱1.3
CHECKED		PART No.:	JK1-207-G817
DRAWN	yongguifeng	PROJECTION:	
DATE	2021.12.01	UNIT:	mm

SCALE	1:1	SHEET	1 OF 1	REV.	A
-------	-----	-------	--------	------	---

9 8 7 6 5 4 3 2 1