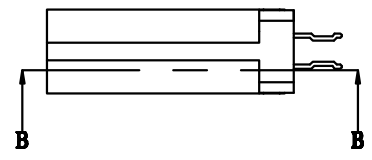
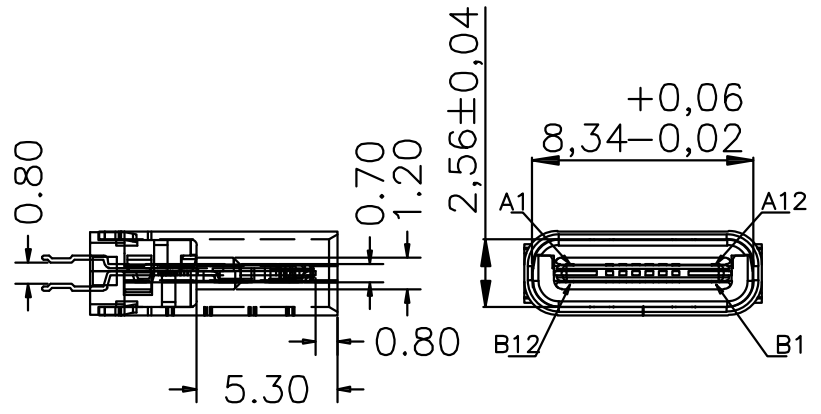
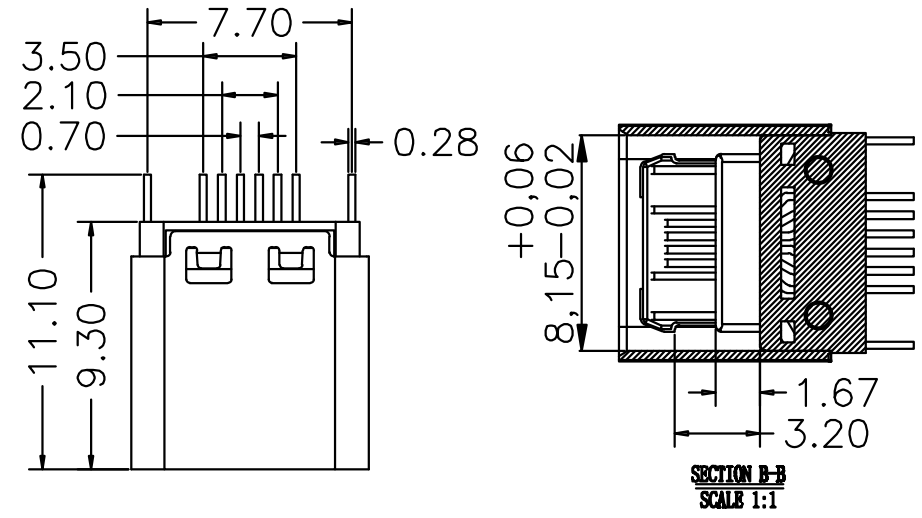


REV.	ECN.NO.	APPD.
A	EXXXXXXXXXX	yangguifeng

- NOTES:
- MATERIAL:
 - Housing:thermoplastic plastics
 - terminals:Copper Alloy
Gold plated in contact area:
Tin plated in termination
Nickel Plated overall
 - Shell:Steel&Copper Alloy
Nickel/Au Plated overall
 - characteristics:
 - Rating Voltage : 30V AC.
 - Rating Current:
5A for Vbus PIN;1.25A for Vconn PIN
 - Contact Resistance:40 mΩ MAX.
 - Insulation Resistance:100 MΩ MIN.
 - Withstanding Voltage:AC 100V
 - Mating force: 5~20N MAX
 - Extraction force:8~20N Min
 - Life test:10000Cycles MIN.
 - Temperature Range: -30℃~+80℃.
- The product must be compliance ROHS



U579-031B-G61038

B: 不锈钢镀镍

G: 半金G/Fu

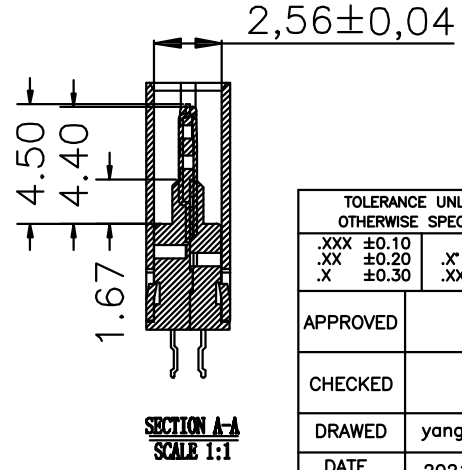
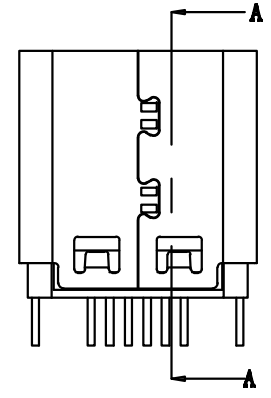
3: 载带

6: LCP

1: 黑色

PIN ASSIGNMENT:

Pin No.	Signal Name	Pin No.	Signal Name
A1	CND	B12	CND
A2		B11	
A3		B10	
A4	VBUS	B9	VBUS
A5	CC1	B8	SBU2
A6	D+	B7	D-
A7	D-	B6	D+
A8	SBU1	B5	CC2
A9	VBUS	B4	VBUS
A10		B3	
A11		B2	
A12	CND	B1	CND



TOLERANCE UNLESS OTHERWISE SPECIFIED		FLW 深圳市华联威电子科技有限公司 HUA LIAN WEI TECHNOLOGY ELECTRONICS CO;LTD.			
.XXX ±0.10	.X' ±3'	PART NAME:		TYPE C 12P夹板1.0母座	
.XX ±0.20	.XX' ±2'	APPROVED	CHECKED	PART No:	U579-031B-G61038
.X ±0.30		DRAWN	yangguifeng	PROJECTION:	UNIT: mm
		DATE	2021.12.01	SCALE	1:1
				SHEET	1 OF 1
				REV.	A