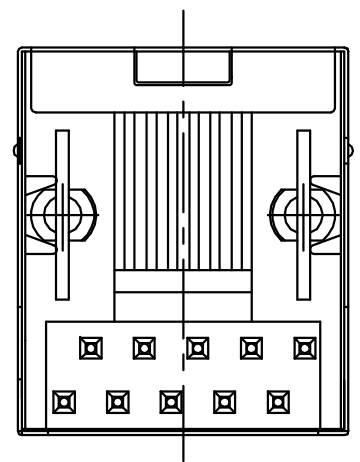
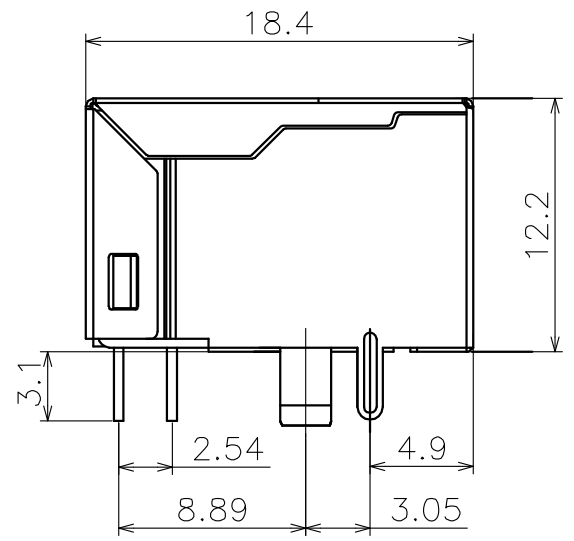
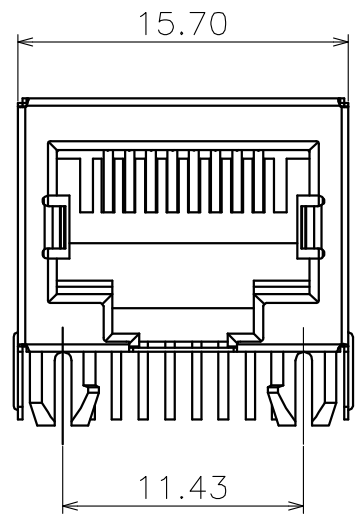
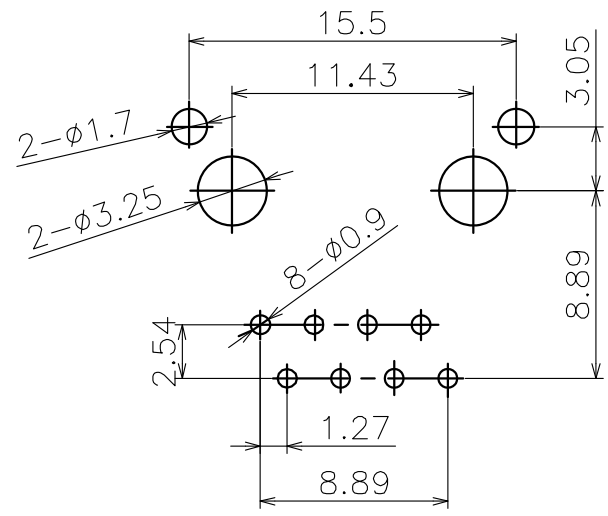


REV.	ECN.NO.	APPD.
A	/	/



BOTTOM VIEW



PCB LAYOUT (BOTTOM VIEW)  
RECOMMENDED

NOTES:

- MATERIAL:
  - Housing:thermoplastic plastics
  - terminals:Copper Alloy  
Gold plated in contact area:  
OR Gold Plated overall
  - Shell:Steel&Copper Alloy  
Nickel/Tin Plated overall
- ELECTRICAL CHARACTERISTICS:
  - Rating Current :1.5 Ampere
  - Rating Voltage :125 V Max
  - Contact Resistance:50 Milli ohms
  - Insulation Resistance:500 Mega ohms Min.
- MECHANICAL CHARACTERISTICS:
  - Connector Mating force: 2.27kgf MAX
  - Durability:750Cycles.
- ENVIRONMENT CHARACTERISTICS:
  - Operating temperature:-40°C to +85°C
  - Storage temperature:-10°C to +40°C

R5F0-1202F-G31018

- G:半金G/Fu”
- 1:吸塑盒
- 3:PA46
- 1:黑色

TOLERANCE UNLESS OTHERWISE SPECIFIED		<b>FLW</b> 深圳市华联威电子科技有限公司			
.XXX ±0.30	.XX ±0.20	.X ±0.10	HUA LIAN WEI TECHNOLOGY ELECTRONICS CO;LTD.		
APPROVED		PART NAME:		RJ45 90度10P8C 18MM 开口前脚下空式	
CHECKED		PART No:		R5F0-1202F-G31018	C
DRAWN		chenyiting	PROJECTION:	UNIT:	SCALE
DATE		2023.04.22		mm	1:1
		SHEET		10F1	REV.
					A