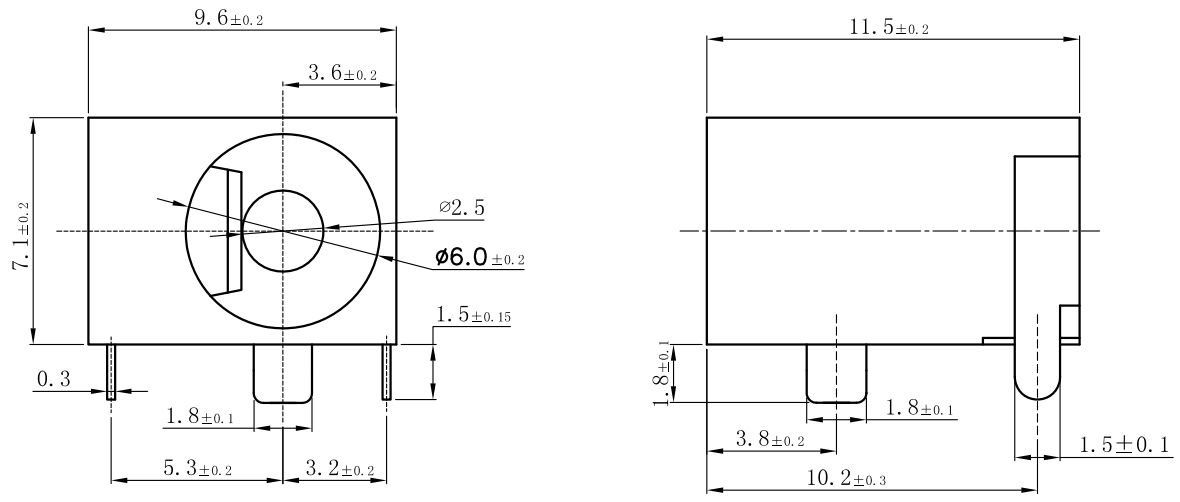


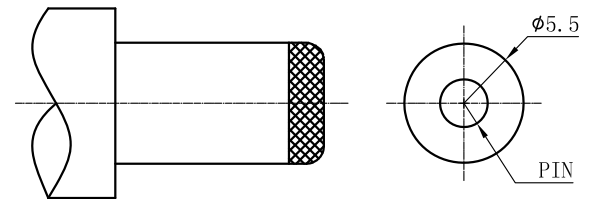
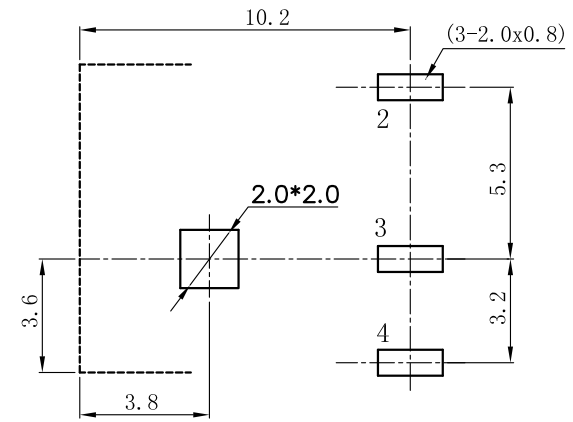
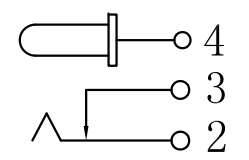
REV.	ECN.NO.	APPD.
A	/	Hexing



- CURRENT RATING : 1.0 AMP. MAX.
- DIELECTRIC WITHSTANDING : AC 500V/min R.M.S.
- INSULATION RESISTANCE : 100MΩ min. AT 100V DC.
- CONTACT RESISTANCE : 50mΩ MAX.
- OPERATING TEMPERATURE : -25° C TO +85° C.
- DURABILITY : 1500 CYCLES.
- MATING FORCE : 3kgs MAX
- UNMATING FORCE : 0.3~3.0kgs
- MAX PROCESSING TEMPERATURE : 60 SECONDS IN 230° C AND 10 SECONDS IN 260° C

P.C.B LAYOUT TOP VIEW

SCHEMATIC



DC MATE PLUG

序号	名称	材料	数量	镀层/颜色	备注
1	2号脚	磷铜=0.3	1PCS	Ag	
2	3号脚	黄铜=0.3	1PCS	Ag	
3	4号脚	黄铜=0.3	1PCS	Ag	
4	PIN	黄铜=2.5	1PCS	TX	
5	塑料座	PA9T	1PCS		

PIN	φ 1.65	φ 2.0	φ 2.35	φ 2.5
APPD				✓

TOLERANCE UNLESS OTHERWISE SPECIFIED		HLW 深圳市华联威电子科技有限公司				
.XXX ±0.10 .XX ±0.20 .X ±0.30		X' ±3' .XX' ±2'		HUA LIAN WEI TECHNOLOGY ELECTRONICS CO;LTD.		
APPROVED		PART NAME:	DC Phone Jack (9.6*7.1*11.5), PA9T 黑色, 镀银, 中心轴2.5			
CHECKED		PART No:	JK1-123-C818		C	
DRAWN	leixianqiang	PROJECTION:	UNIT:	SCALE:	SHEET:	REV.
DATE	2015.06.02		mm	1:1	10F1	A