

| REV. | ECN.NO. | APPD. |
|------|------------|-------------|
| A | XXXXXXXXXX | yangguifeng |

NOTES:

1.MATERIAL:

- 1.1 Housing: thermoplastic plastics,
- 1.2 terminals:Copper Alloy
Gold plated in contact area:
Tin 40u"min plated in termination
Nickel Plated overall
- 1.3 Shell:Steel&Copper Alloy
Nickel/Tin Plated overall

2.ELECTRICAL CHARACTERISTICS:

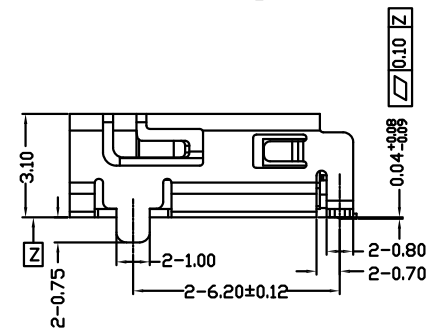
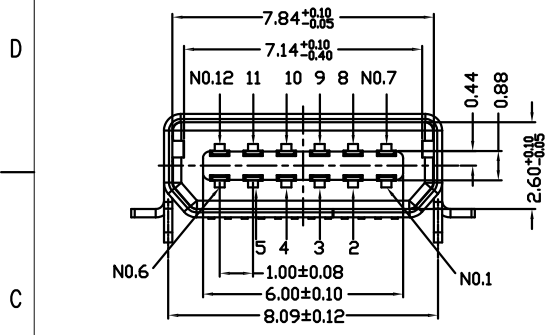
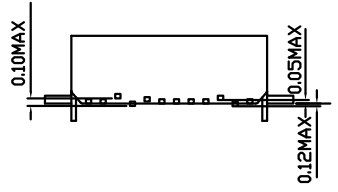
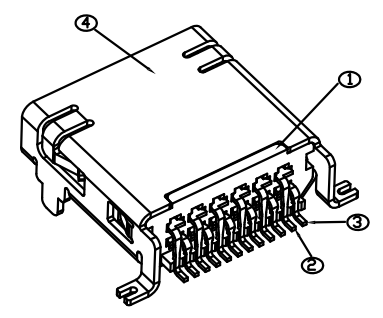
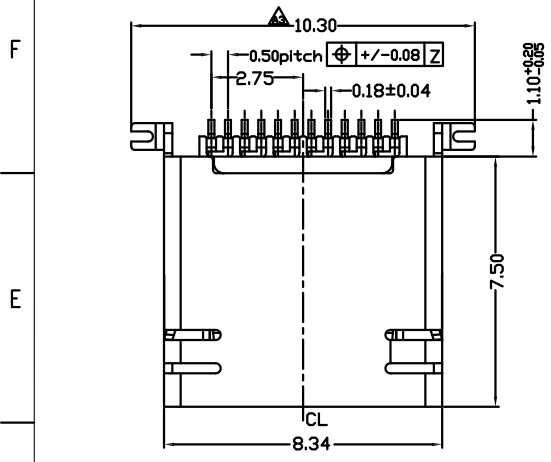
- 2.1 Rating Current :1.5 Ampere
- 2.2 Rating Voltage :30 V Max
- 2.3 Contact Resistance:50 Milli ohms
- 2.4 Insulation Resistance:100 Mega ohms Min.

3.MECHANICAL CHARACTERISTICS:

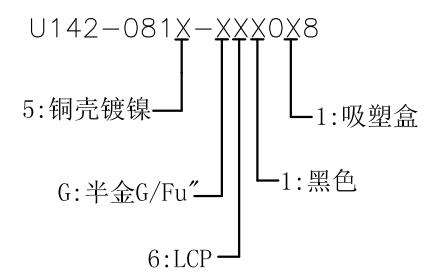
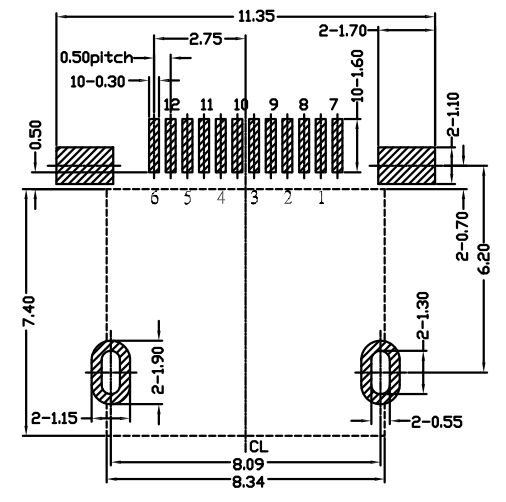
- 3.1 Connector Mating force: 35N MAX
- 3.2 Connector Unmating force:7N min

4.ENVIRONMENT CHARACTERISTICS:

- 4.1 Operating temperature:-0°C to +50°C
- 4.2 Storage temperature:-20°C to +60°C



Recommended P.C.B Layout(Top Side)
Tolerance=±0.05



| | | | | | |
|--------------------------------------|-------------|---------------------------|------------------|---|--------|
| TOLERANCE UNLESS OTHERWISE SPECIFIED | | FLW 深圳市华联威电子科技有限公司 | | | |
| .XXX ±0.10 .XX ±0.20 .X ±0.30 | | .X ±3' .XX ±2' | | HUA LIAN WEI TECHNOLOGY ELECTRONICS CO;LTD. | |
| APPROVED | | PART NAME: | MINI SMT 12P半插半贴 | | |
| CHECKED | | PART No: | U142-0815-G61018 | | C |
| DRAWN | yangguifeng | PROJECTION: | UNIT: | SCALE | SHEET |
| DATE | 2021.12.01 | | mm | 1:1 | 1 OF 1 |
| | | | | | REV. A |