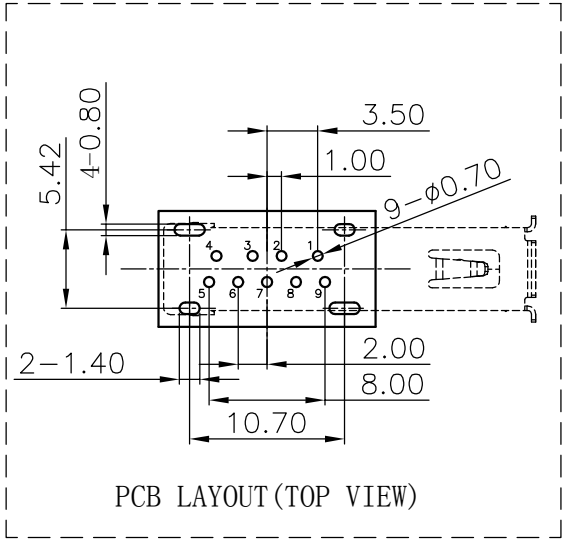
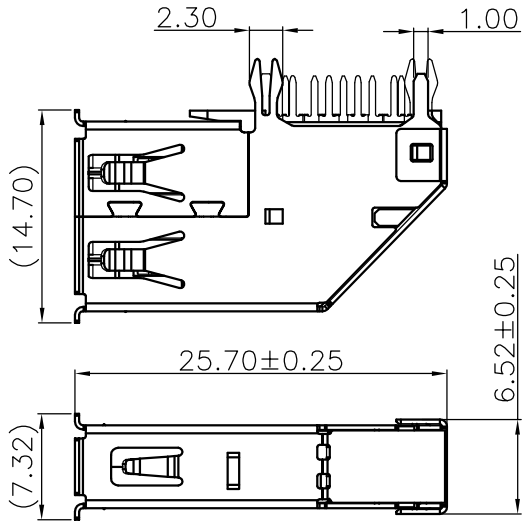
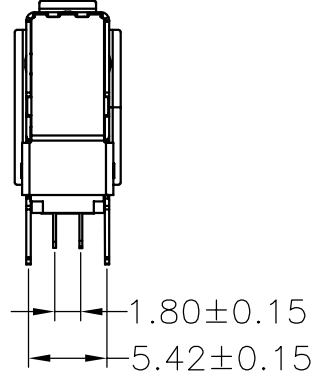
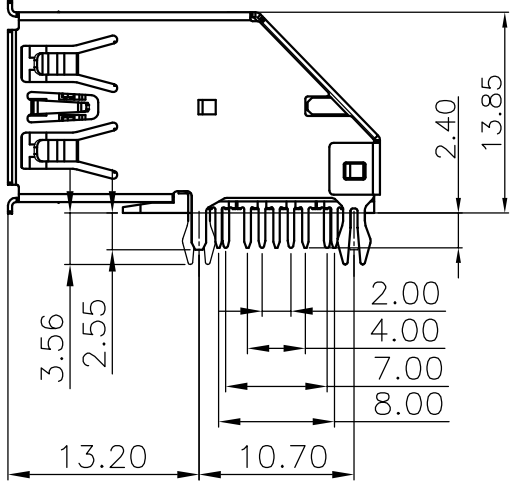
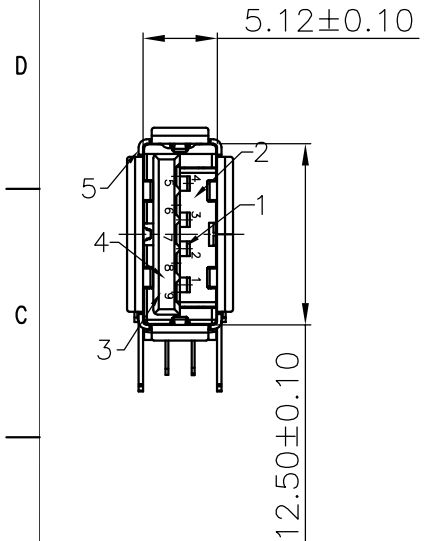


REV.	ECN.NO.	APPD.
A	EXXXXXXXXXXX	chenyiting



Remark:  
 1.MATERIAL:  
 1.1 Housing:thermoplastic plastics.  
 1.2 terminals:Copper Alloy  
 1.3 Front Shell:Copper Alloy/SPCC.  
 Middle Shell:SPCC  
 2.characteristics:  
 2.1 Rating Voltage : 30V AC.  
 2.2 Rating  
 Current:PIN1&PIN4(Vbus&Corresponding ground PIN)  
 1.8A MAX Other PINS 0.25A min.  
 2.3 Contact Resistance:PIN1&PIN4:30 mΩ  
 MAX. Other PINS: 50 mΩ  
 2.4 Insulation Resistance:100 MΩ MIN.  
 2.5 Withstanding Voltage:AC 100V between adjacent contacts  
 2.6 Mating force: 3.57Kgf MAX(35N MAX)  
 2.7 Extraction force:1Kgf Min(9.8N Min)  
 2.8 Life test:1500Cycles MIN.  
 2.9 Temperature Range: -30℃~+80℃.



U326-113B-G67018  
 B:不锈钢镀镍  
 G:半金G/Fu  
 6:LCP  
 7:蓝色  
 1:吸塑盒

Pin Number	Signal Name	Pin Number	Signal Name
1	VBUS	5	SSRX-
2	D-	6	SSRX+
3	D+	7	GND
4	GND	8	SSTX-
Shell	Shield	9	SSRT+

TOLERANCE UNLESS OTHERWISE SPECIFIED		<b>FLW</b> 深圳市华联威电子科技有限公司				
.XXX ±0.10 .XX ±0.20 .X ±0.30		.X ±3' .XX ±2'		HUA LIAN WEI TECHNOLOGY ELECTRONICS CO;LTD.		
APPROVED		PART NAME:	USB 3.0 AF 侧插90度反向			
CHECKED		PART No:	U326-113B-G67018			C
DRAWN	chenyiting	PROJECTION:	UNIT:	SCALE	SHEET	REV.
DATE	2023.05.29		mm	1:1	1 OF 1	A