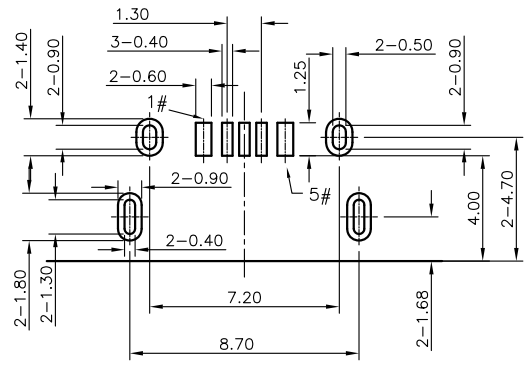
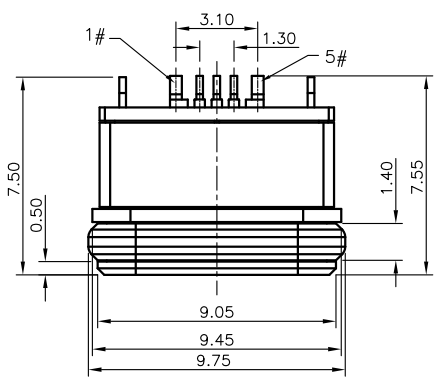
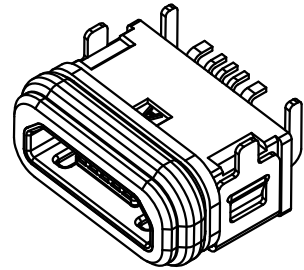


REV.	ECN.NO.	APPD.
A	XXXXXXXXXX	yangguifeng

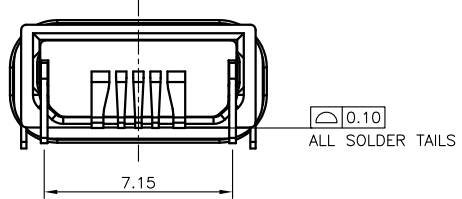
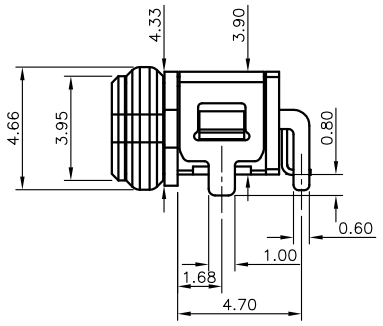
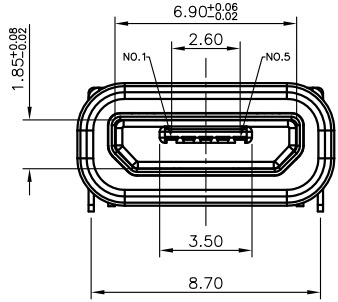


RECOMMENDED P.C.B. LAYOUT (TOP VIEW)  
GENERAL TOLERANCE: ±0.05

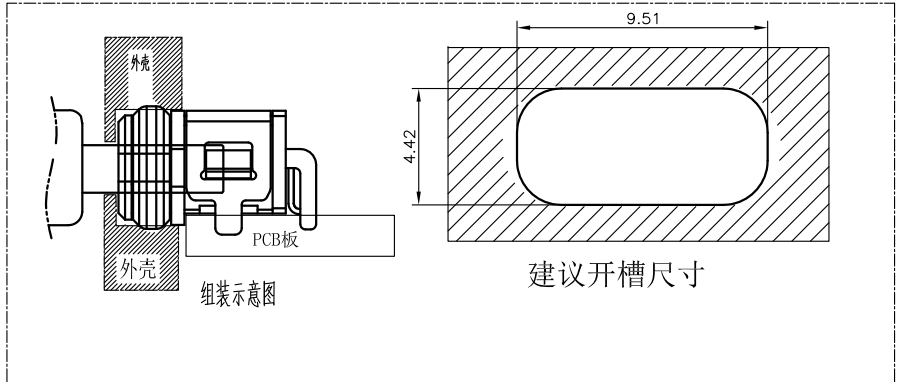
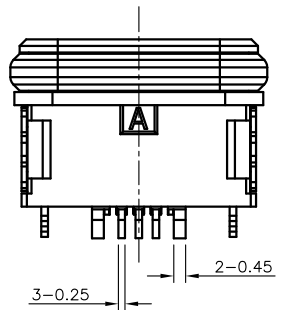


NOTES:

- MATERIAL:
  - Housing: thermoplastic plastics,
  - terminals: Copper Alloy  
Gold plated overall
  - Shell: Steel & Copper Alloy  
Nickel/Tin Plated overall
- ELECTRICAL CHARACTERISTICS:
  - Rating Current : 1.5 Ampere
  - Rating Voltage : 30 V Max
  - Contact Resistance: 50 Milli ohms
  - Insulation Resistance: 100 Mega ohms Min.
- MECHANICAL CHARACTERISTICS:
  - Connector Mating force: 35N MAX
  - Connector Unmating force: 7N min
- ENVIRONMENT CHARACTERISTICS:
  - Operating temperature: -0°C to +50°C
  - Storage temperature: -20°C to +60°C



U442-011X-XXXOX8  
 B: 不锈钢镀镍  
 G: 半金G/Fu"  
 9: PA10T  
 1: 吸塑盒  
 1: 黑色



Contact Number	Signal Name	Remarks
1#	VBUS	Power
2#	D-	Date-
3#	D+	Date+
4#	ID	Reserve or Gound
5#	GND	Gound

TOLERANCE UNLESS OTHERWISE SPECIFIED	
.XXX ±0.10	.X' ±3'
.XX ±0.20	.XX' ±2'
.X ±0.30	

**FLW** 深圳市华联威电子科技有限公司  
 HUA LIAN WEI TECHNOLOGY ELECTRONICS CO;LTD.

APPROVED		PART NAME:	MICRO 5P 90度SMT四脚防水8级			
CHECKED		PART No:	U442-011B-G91018		C	
DRAWN	yangguifeng	PROJECTION:	UNIT:	SCALE:	SHEET:	REV.
DATE	2021.12.01		mm	1:1	1 OF 1	A