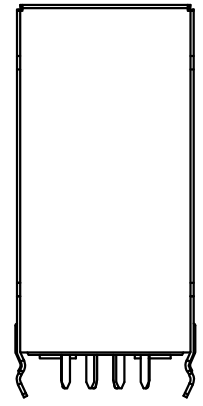
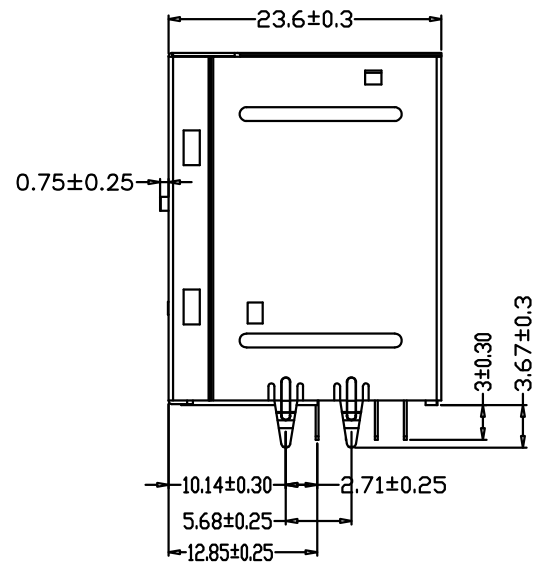
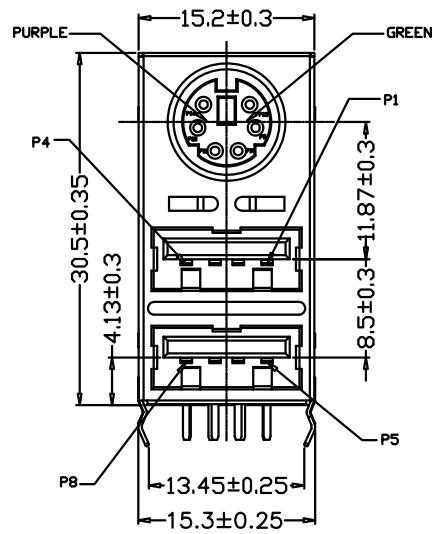


REV.	ECN.NO.	APPD.
A	/	pcy

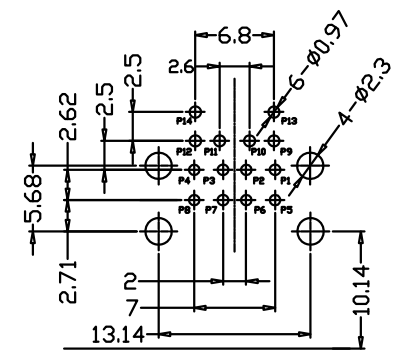
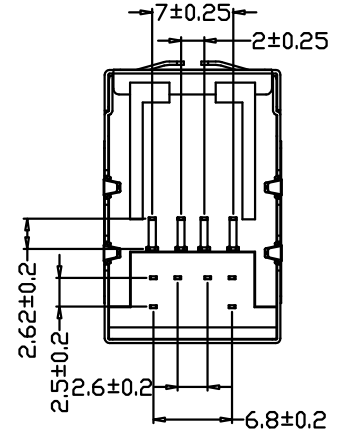


**FINISH:**

- 1. USB Contact: Gold Flash Plated On Contact Area  
Sn Plated On Solderails  
Nickel Under Plated Over All**
- 2. Mini Din Contact: Gold Flash Plated On Contact  
Area Sn Plated On Solderails  
Nickel Under Plated Over All**
- 3. Back Shell: Sn Plated**

MD21-0711-XX8

G:C5191半金G/Fu"亮锡  
8:黑色  
6:LCP



RECOMMENDED PCB LAYOUT

TOLERANCE UNLESS OTHERWISE SPECIFIED	
.XXX ±0.10	.X' ±3'
.XX ±0.20	.XX' ±2'
.X ±0.30	

**FLW 深圳市华联威电子科技有限公司**  
HUA LIAN WEI TECHNOLOGY ELECTRONICS CO;LTD.

APPROVED		PART NAME:	上MINI DIN 双色下双层UAB2.0			
CHECKED		PART No:	MD21-0711-X68		C	
DRAWN	Shen	PROJECTION:	UNIT:	SCALE	SHEET	REV.
DATE	2021.09.01		mm	1.5:1	10F1	A