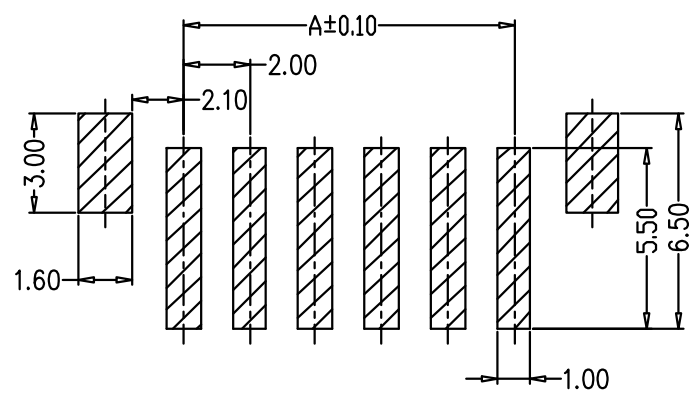
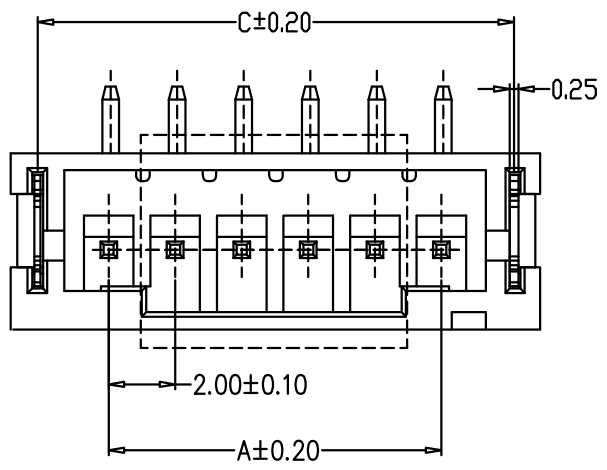
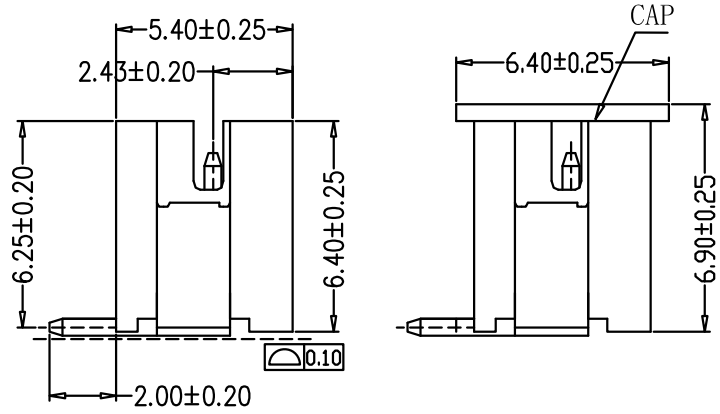
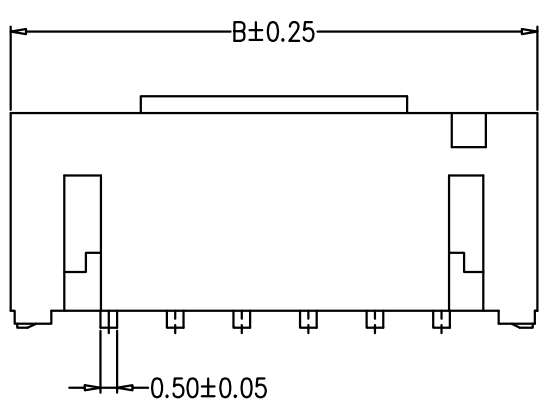


REV.	ECN.NO.	APPD.
A	/	/

技术指标 (Technical Index) :

1. 工作温度 (Temperature range) : -25° C-85° C.
2. 额定电压 (Rated voltage) : 250V DC/AC (rms)
3. 额定电流 (Rated current) : 5A AC, DC
4. 接触阻抗 (CONTACT Resistance) : $\leq 25M\Omega$
5. 耐压值 (Withstanding voltage) : 1500V AC/minute
6. 绝缘阻抗 (Insulation resistance) $\geq 1000M\Omega$

216104-0118-G63038
 G: 镀锡
 6: LCP
 3: 米黄色



PCB LAYOUT

编号	尺寸 (mm)		
	A	B	C
A2001LF-02A	2.00	8.00	6.50
A2001LF-03A	4.00	10.00	8.50
A2001LF-04A	6.00	12.00	10.50
A2001LF-05A	8.00	14.00	12.50
A2001LF-06A	10.00	16.00	14.50
A2001LF-07A	12.00	18.00	16.50
A2001LF-08A	14.00	20.00	18.50
A2001LF-09A	16.00	22.00	20.50
A2001LF-10A	18.00	24.00	22.50
A2001LF-11A	20.00	26.00	24.50
A2001LF-12A	22.00	28.00	26.50
A2001LF-16A	30.00	36.00	34.50

TOLERANCE UNLESS OTHERWISE SPECIFIED	
.XXX ±0.10	.X' ±3'
.XX ±0.20	.XX' ±2'
.X ±0.30	

FLW 深圳市华联威电子科技有限公司
 HUA LIAN WEI TECHNOLOGY ELECTRONICS CO;LTD.

APPROVED		PART NAME:	针座 间距2.0×4P			
CHECKED		PART No:	216104-0118-G63038			C
DRAWN	weihong	PROJECTION:	UNIT:	SCALE	SHEET	REV.
DATE	2021.9.23		mm	1:1	10F1	A