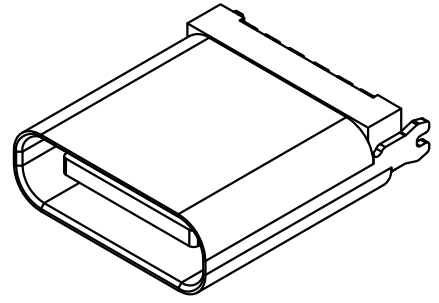
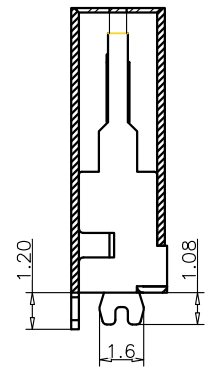
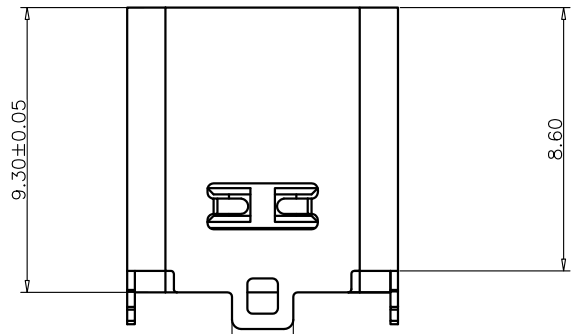
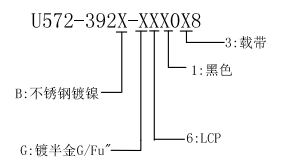
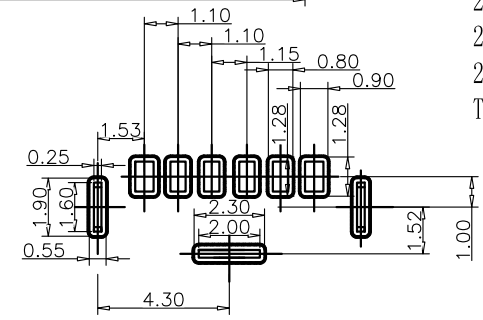
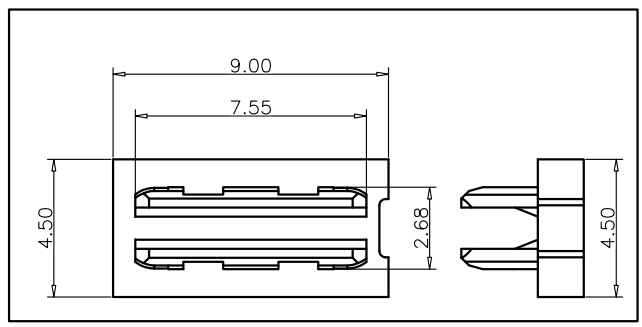
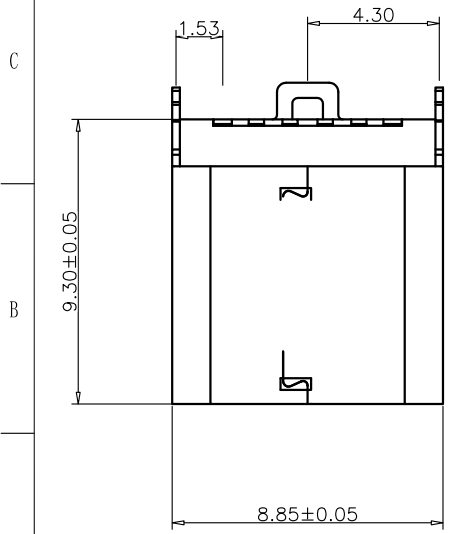
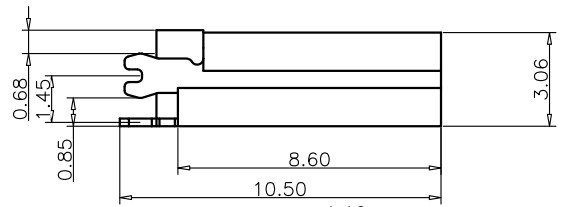
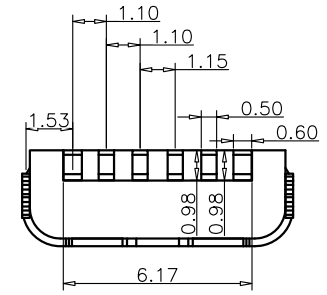
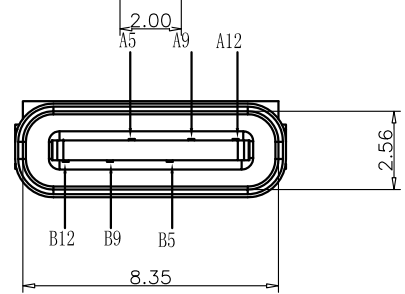


REV.	ECN. NO.	APPD.
A	/	ZFY



- NOTES:
- MATERIAL:
    - Housing: thermoplastic plastics
    - terminals: Copper Alloy  
Gold plated in contact area:  
Tin plated in termination  
Nickel Plated overall
    - Shell: Steel & Copper Alloy  
Nickel/Au Plated overall
  - characteristics:
    - Rating Voltage : 30V AC.
    - Rating Current:  
5A for Vbus PIN; 1.25A for Vconn PIN
    - Contact Resistance: 40 mΩ MAX.
    - Insulation Resistance: 100 MΩ MIN.
    - Withstanding Voltage: AC 100V
    - Mating force: 5~20N MAX
    - Extraction force: 8~20N Min
    - Life test: 10000 Cycles MIN.
    - Temperature Range: -30°C ~ +80°C.
- The product must be compliance ROHS



RECOMMEND P. C. B LAYOUT (COMPONENT SIDE)  
TOLERANCE FOR PCB LAYOUT IS ±0.05

TOLERANCE UNLESS OTHERWISE SPECIFIED	
.XXX ±0.15	.X* ±5°
.XX ±0.20	.XX* ±2°
.X ±0.30	

**FLW** 深圳市华联威电子科技有限公司  
HUA LIAN WEI TECHNOLOGY ELECTRONICS CO;LTD.

APPROVED		PART NAME:	TYPE C 6P立贴9.3			
CHECKED		PART No.:	U572-392B-G61038			C
DRAWN	ZhangFenYan	PROJECTION:	UNIT:	SCALE	SHEET	REV.
DATE	2018. 10. 10		mm	1:1	10F1	A