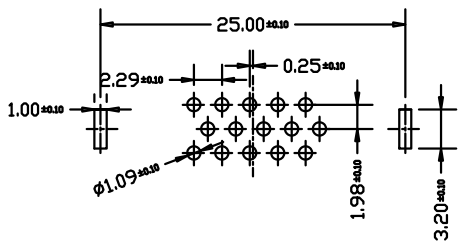
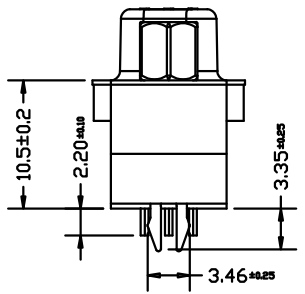
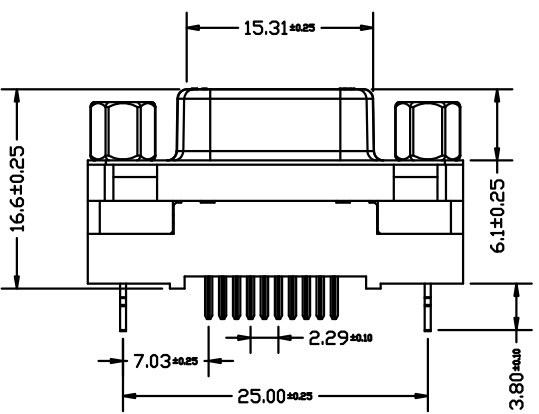
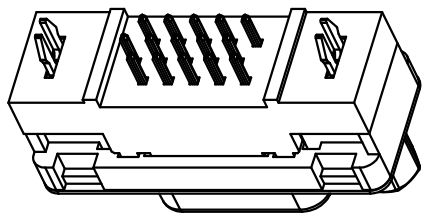
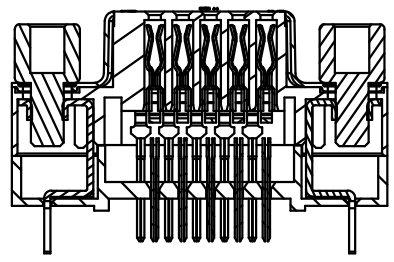
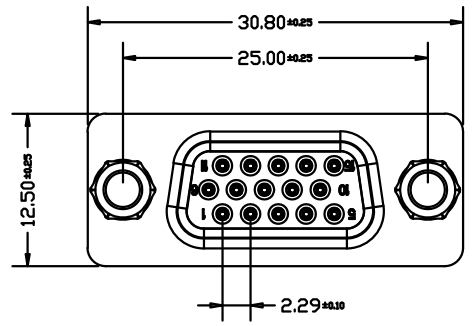


REV.	ECN.NO.	APPD.
A	XXXXXXXXXX	yangguifeng



1.SPECIFICATION

- 2.1 Current Rate:5 Amps
- 2.2 Insulator Resistance:1000MΩ Min.
- 2.3 Dielectric Strength:500V AC PER MIN
- 2.4 Operation Temperature:-55C~+105C
- 2.5 Contact Resistance:30mΩ Max

DS422-1931-XXX017

G:半金G/Fu”
7:蓝色
2:PBT

TOLERANCE UNLESS OTHERWISE SPECIFIED		FLW 深圳市华联威电子科技有限公司 HUA LIAN WEI TECHNOLOGY ELECTRONICS CO.;LTD.			
.XXX ±0.10	.XX ±0.20	.X ±0.30	.X' ±3'	.XX' ±2'	
APPROVED		PART NAME:	D-SUB 180度HDR15母三排插锁		
CHECKED		PART No:	DS422-1931-G27017		C
DRAWN	yangguifeng	PROJECTION:	UNIT:	SCALE	SHEET
DATE	2021.12.01		mm	1:1	1 OF 1
					REV. A