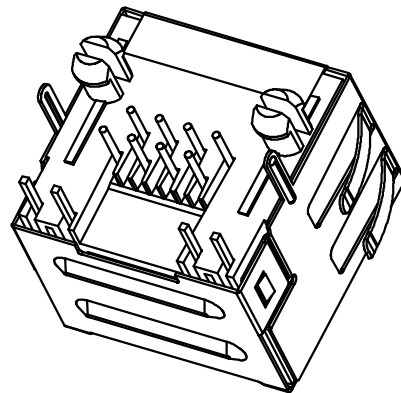
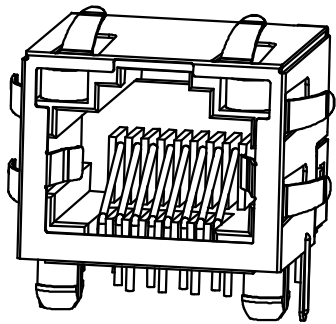
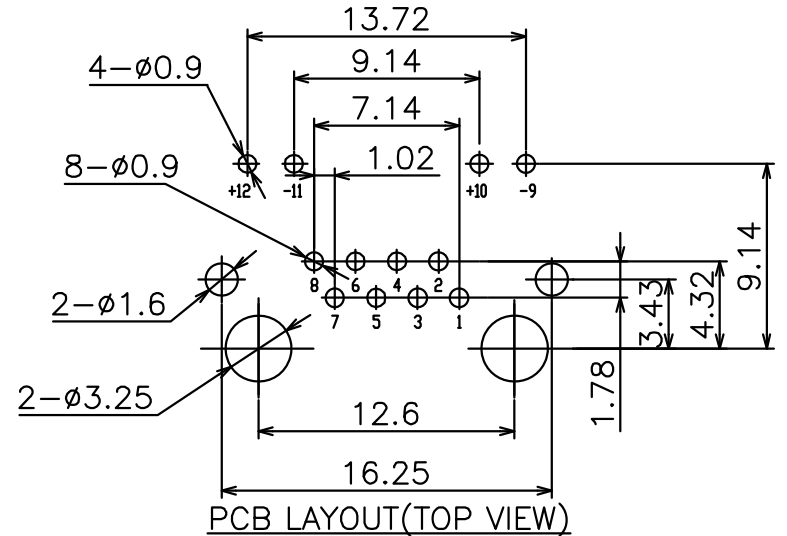
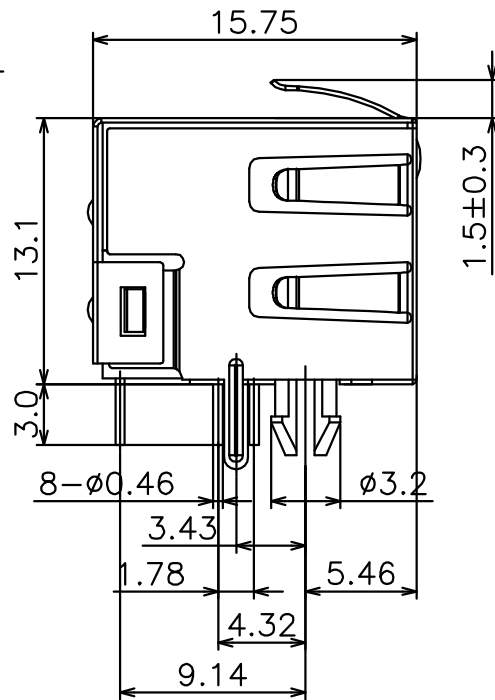
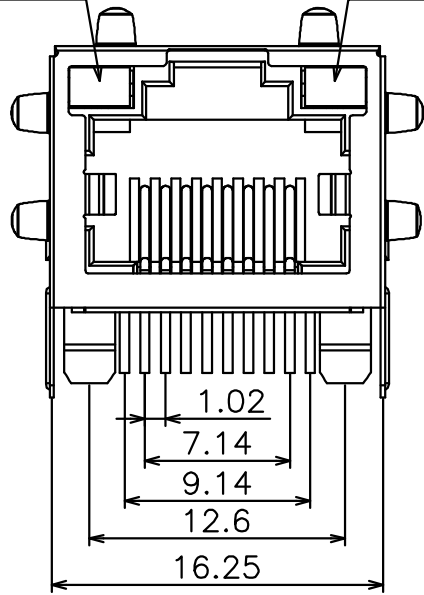


YELLOW LED

GREEN LED

REV.	ECN.NO.	APPD.
D	/	weihong



NOTES:

1.MATERIAL:

- 1.1 Housing:thermoplastic plastics
- 1.2 terminals:Copper Alloy
Gold plated in contact area:
OR Gold Plated overall
- 1.3 Shell:Steel&Copper Alloy
Nickel/Tin Plated overall

2.ELECTRICAL CHARACTERISTICS:

- 2.1 Rating Current :1.5 Ampere
- 2.2 Rating Voltage :125 V Max
- 2.3 Contact Resistance:50 Milli ohms
- 2.4 Insulation Resistance:500 Mega ohms Min.

3.MECHANICAL CHARACTERISTICS:

- 3.1 Connector Mating force: 2.27kgf MAX
- 3.2 Durability:750Cycles.

4.ENVIRONMENT CHARACTERISTICS:

- 4.1 Operating temperature:-40℃ to +85℃
- 4.2 Storage temperature:-10℃ to +40℃

R586-11225-XXX0X8

G:半金G/Fu”
1:吸塑盒
3:PA46
1:黑色

TOLERANCE UNLESS OTHERWISE SPECIFIED	
.XXX ±0.30	.X' ±5°
.XX ±0.20	.XX' ±2°
.X ±0.10	

FLW 深圳市华联威电子科技有限公司

HUA LIAN WEI TECHNOLOGY ELECTRONICS CO;LTD.

APPROVED		PART NAME:	RJ45 单层单PORT 长度15MM 带灯左黄右绿 带弹片			
CHECKED		PART No:	R586-11225-G31018			C
DRAWN	weihong	PROJECTION:	UNIT:	SCALE	SHEET	REV.
DATE	2022.10.19		mm	1:1	10F1	D