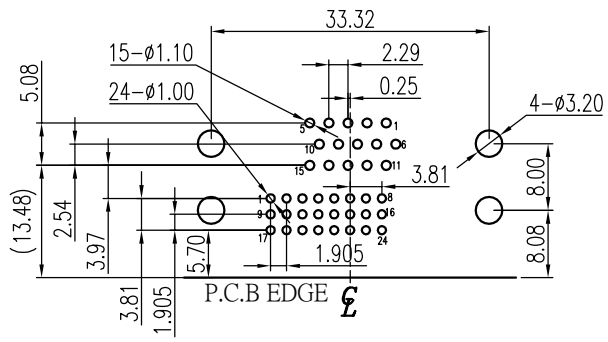
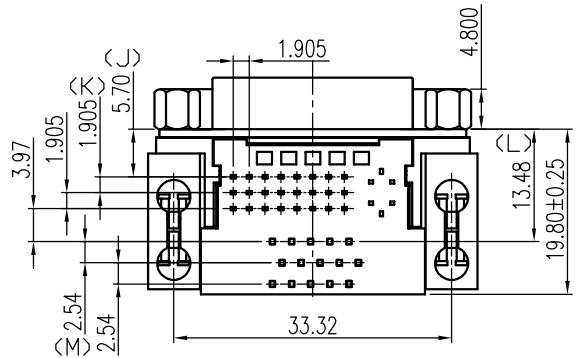
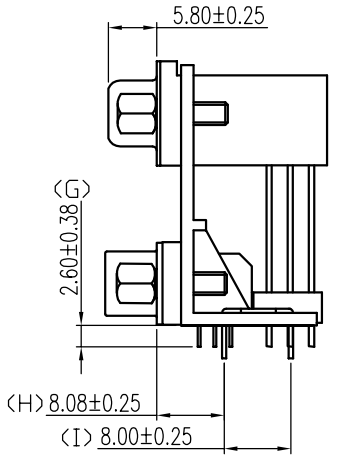
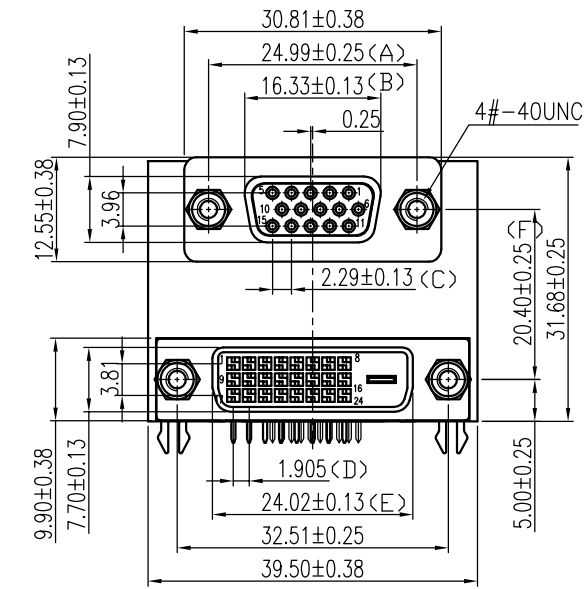


REV.	ECN.NO.	APPD.
A	EXXXXXXXXXX	yangguifeng

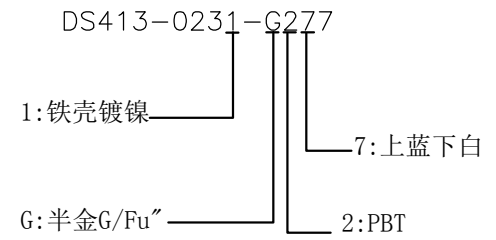


RECOMMENDED P.C.B LAYOUT

INSPECTION DIMENSION:(A)~(M)

1.SPECIFICATION

- 2.1 Current Rate:5 Amps
- 2.2 Insulator Resistance:1000MΩ Min.
- 2.3 Dielectric Strength:500V AC PER MIN
- 2.4 Operation Temperature:-55℃~+105℃
- 2.5 Contact Resistance:30mΩ Max



TOLERANCE UNLESS OTHERWISE SPECIFIED		FLW 深圳市华联威电子科技有限公司			
.XXX ±0.10 .XX ±0.20 .X ±0.30		.X' ±3" .XX' ±2"		HUA LIAN WEI TECHNOLOGY ELECTRONICS CO.;LTD.	
APPROVED		PART NAME:	DVI24+5 HDR15卧式铆锁母座		
CHECKED		PART No:	DS413-0231-G277	C	
DRAWN	yangguifeng	PROJECTION:	UNIT:	SCALE	SHEET
DATE	2021.12.01		mm	1:1	1 OF 1
					REV. A