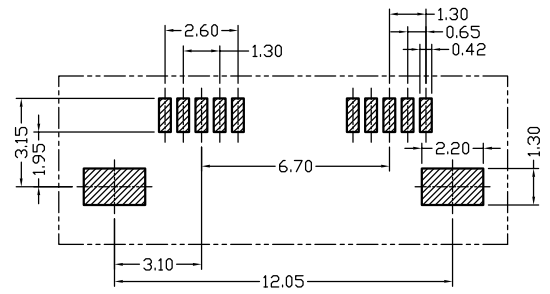
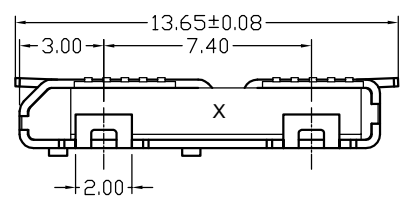
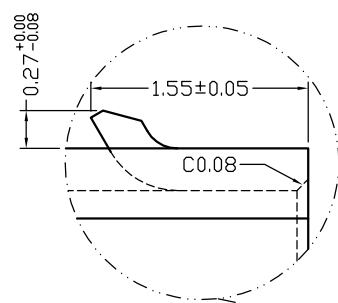
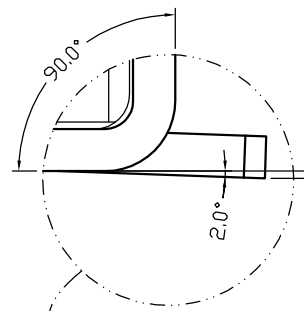
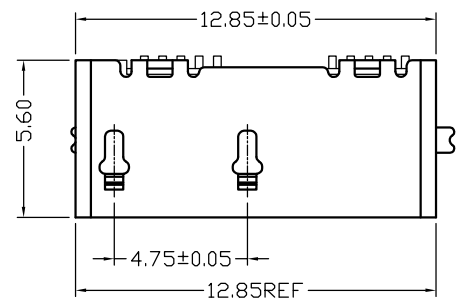


| REV. | ECN.NO. | APPD.      |
|------|---------|------------|
| A    | /       | chenyiting |



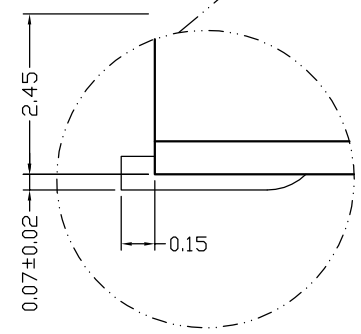
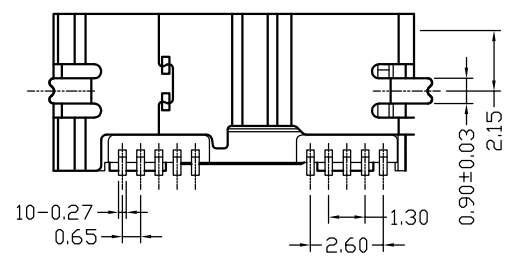
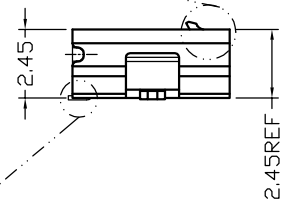
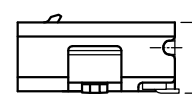
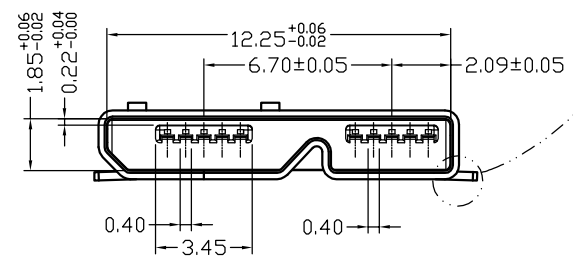
RECOMMEND PCB LAYOUT(TOP VIEW)  
GENERAL TOLERANCE ±0.05



- NOTES:
- MATERIAL:
    - Housing: thermoplastic plastics,
    - terminals:Copper Alloy  
Gold plated overall
    - Shell:Steel&Copper Alloy  
Nickel/Tin Plated overall
  - ELECTRICAL CHARACTERISTICS:
    - Rating Current :1.5 Ampere
    - Rating Voltage :30 V Max
    - Contact Resistance:50 Milli ohms
    - Insulation Resistance:100 Mega ohms Min.
  - MECHANICAL CHARACTERISTICS:
    - Connector Mating force: 35N MAX
    - Connector Unmating force:7N min
  - ENVIRONMENT CHARACTERISTICS:
    - Operating temperature:-0°C to +50°C
    - Storage temperature:-20°C to +60°C

U342-0455-G61138

- 5:铜壳镀镍
- G:半金G/Fu
- 6:LCP
- 1:吸塑盒
- 1:黑色



|                                      |            |   |       |                                |        |      |
|--------------------------------------|------------|---|-------|--------------------------------|--------|------|
| TOLERANCE UNLESS OTHERWISE SPECIFIED |            | <b>FLW</b> 深圳市华联威电子科技有限公司                   |       |                                |        |      |
| .XXX ±0.10<br>.XX ±0.20<br>.X ±0.30  |            | HUA LIAN WEI TECHNOLOGY ELECTRONICS CO;LTD. |       |                                |        |      |
| X' ±3'<br>.XX' ±2'                   |            | PART NAME:                                  |       | MICRO 3.0 B TYPE 10P/F 外壳脚 全贴片 |        |      |
| APPROVED                             |            | PART No:                                    |       | U342-0455-G61138               |        | C    |
| CHECKED                              |            | PROJECTION:                                 | UNIT: | SCALE:                         | SHEET: | REV. |
| DATE                                 | 2023.05.12 |   | mm    | 1:1                            | 1 OF 1 | A    |

由 Autodesk 教育版产品制作