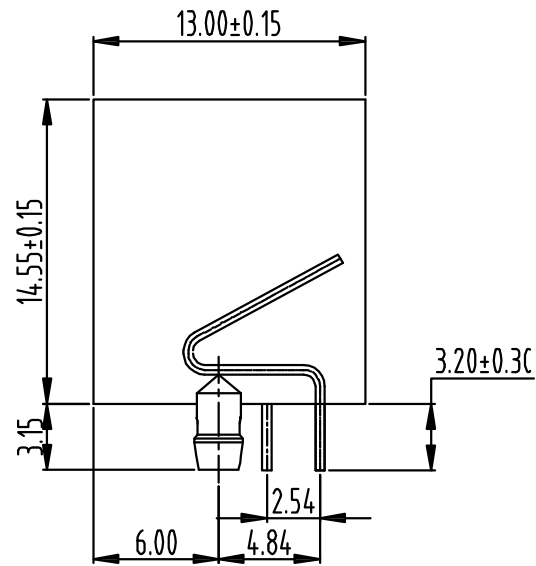
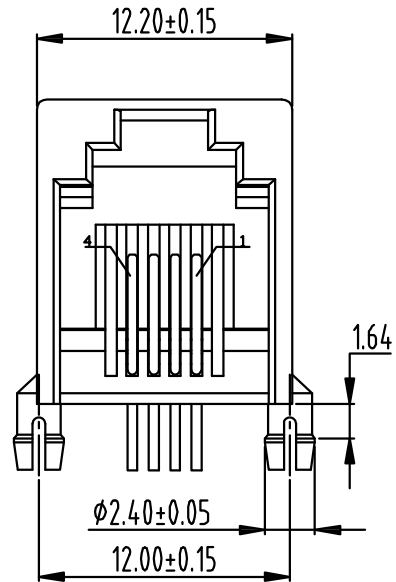


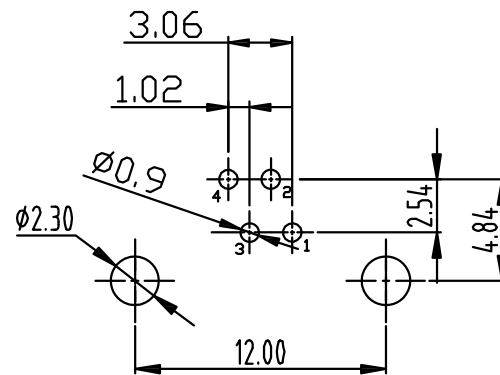
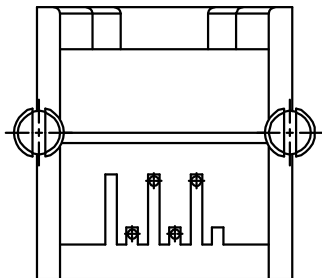
REV.	ECN.NO.	APPD.
A	XXXXXXXXXX	yangguifeng



- NOTES:
- MATERIAL:
 - Housing:thermoplastic plastics
 - terminals:Copper Alloy
Gold plated in contact area:
OR Gold Plated overall
 - Shell:Steel&Copper Alloy
Nickel/Tin Plated overall
 - ELECTRICAL CHARACTERISTICS:
 - Rating Current :1.5 Ampere
 - Rating Voltage :125 V Max
 - Contact Resistance:50 Milli ohms
 - Insulation Resistance:500 Mega ohms Min.
 - MECHANICAL CHARACTERISTICS:
 - Connector Mating force: 2.27kgf MAX
 - Durability:750Cycles.
 - ENVIRONMENT CHARACTERISTICS:
 - Operating temperature:-40℃ to +85℃
 - Storage temperature:-10℃ to +40℃

R120-11500-G21017

G:半金G/Fu" 1:吸塑盒
2:PBT 1:黑色



PCB LAYOUT/TOP VIEW

TOLERANCE UNLESS OTHERWISE SPECIFIED		HLW 深圳市华联威电子科技有限公司				
.XXX ±0.10	.XX ±0.20	.X ±3'	HUA LIAN WEI TECHNOLOGY ELECTRONICS CO;L			
.X ±0.30	.XX' ±2'					
APPROVED		PART NAME:	RJ11 6P4C H13.0 全塑			
CHECKED		PART No:	R120-11500-G21017	C		
DRAWN	yangguifeng	PROJECTION:	UNIT:	SCALE	SHEET	REV.
DATE	2021.12.01		mm	1:1	1 OF 1	A