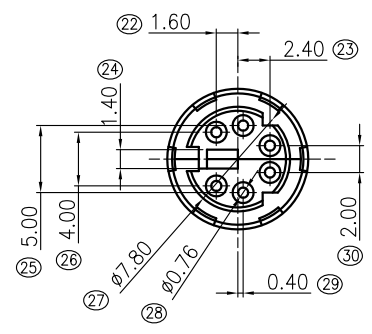
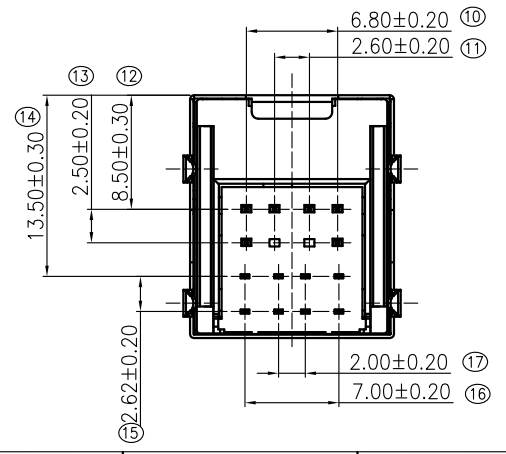


REF. PCB. LAYOUT  
(T=1.60mm TOL:±0.05mm)

- NOTES:
- MATERIAL:
    - Housing:thermoplastic plastics
    - terminals:Copper Alloy
    - Gold plated in contact area: Tin plated in termination Nickel Plated overall
    - Shell:Steel&Copper Alloy Nickel/Tin Plated overall
  - ELECTRICAL CHARACTERISTICS:
    - Rating Current :1.5 Ampere
    - Rating Voltage :125 V Max
    - Contact Resistance:40 Milli ohms
    - Insulation Resistance:500 Mega ohms Min.
  - MECHANICAL CHARACTERISTICS:
    - Connector Mating force: 44.1N MAX(4.5Kgf) Unmating force 0.9-3.5Kgf
  - ENVIRONMENT CHARACTERISTICS:
    - Operating temperature:-40°C to +85°C
    - Storage temperature:-40°C to +85°C



| TOLERANCE UNLESS OTHERWISE SPECIFIED |          |
|--------------------------------------|----------|
| .XXX ±0.10                           | .X' ±3'  |
| .XX ±0.20                            | .XX' ±2' |
| .X ±0.30                             |          |

**FLW** 深圳市华联威电子科技有限公司  
HUA LIAN WEI TECHNOLOGY ELECTRONICS CO.,LTD.

|          |            |             |                     |        |        |       |
|----------|------------|-------------|---------------------|--------|--------|-------|
| APPROVED |            | PART NAME:  | 双层USB+MINI-DIN(一体式) |        |        |       |
| CHECKED  |            | PART No:    | MD81-9420-G27       | C      |        |       |
| DRAWN    | weihong    | PROJECTION: | UNIT:               | SCALE: | SHEET: | REV.: |
| DATE     | 2021.07.14 |             | mm                  | 1:1    | 10F1   | A0    |