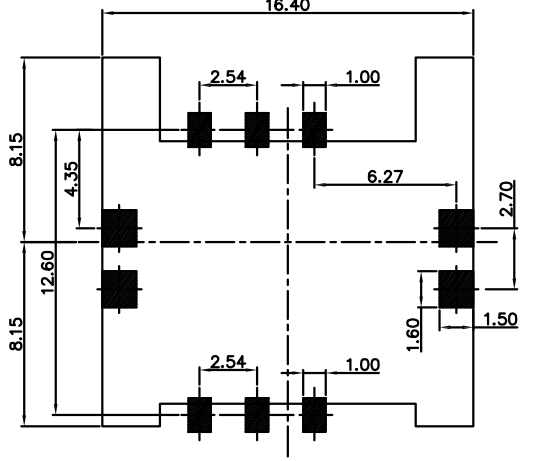
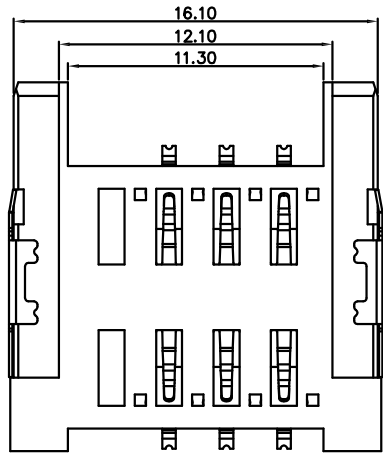
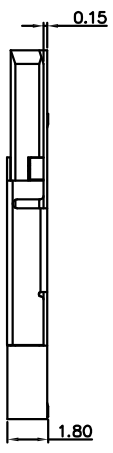
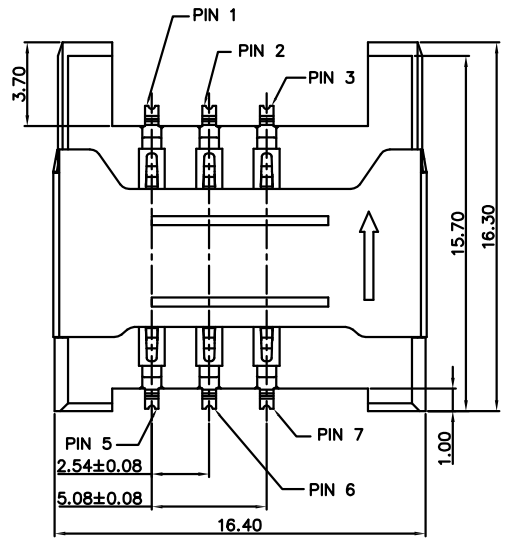
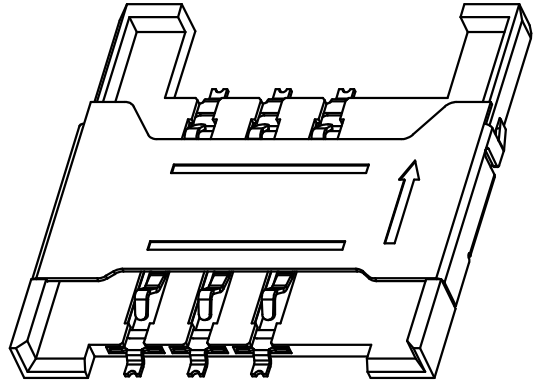
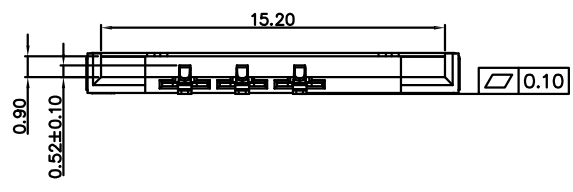


REV.	ECN.NO.	APPD.
A	/	/



Recommended PCB Layout



- \*Electrical Characteristics:  
 Contact Current Rating:0.5 Amperes.  
 Dielectric Withstanding Voltage:AC500V r.m.s.  
 Insulation Resistance:1000 MΩ Minimum.  
 Contact Resistance:100 mΩ Maximum.
- \*Environmental:  
 Operating Temperature:-25°C~+90°C.
- \*Environmental:  
 Mating Cycles:5000~10,000 Insertions.
- \*Mechanical Characteristics:  
 Card Push Insertion/Out Force:1.4kgf. MAX  
 Contact Separation Force:0.20kgf Minimum.
- \*Material:  
 Insulator:HI-Temp Plastic UL 94V-0 Rated.  
 Contact:Copper Alloy(t=0.15mm).  
 Shell:Stainless Steel(t=0.20mm).  
 Spring:SWP.

SD5209-115-G618  
 G: 半金G/Fu  
 6:LCP黑色  
 1:吸塑盘

PIN NO.	PIN NAME
PIN 1	Supply Voltage Vcc
PIN 2	Resrt(RST)
PIN 3	Clock (CLK)
PIN 5	Ground
PIN 6	Programming Voltage Vpp
PIN 7	I/O
PIN 4/8	N/A

TOLERANCE UNLESS OTHERWISE SPECIFIED		深圳市华联威电子科技有限公司 HUA LIAN WEI TECHNOLOGY ELECTRONICS CO;LTD.						
.XXX ±0.10	.X ±0.20					.X ±3°	.XX ±2°	
.XX ±0.30								
APPROVED		PART NAME:	NANO SMT 6PIN					
CHECKED		PART No:	SD5209-115-G618		C			
DRAWN	weihong	PROJECTION:	UNIT:	SCALE	SHEET			
DATE	2021.7.23		mm	1:1	10F1			
					REV. A			