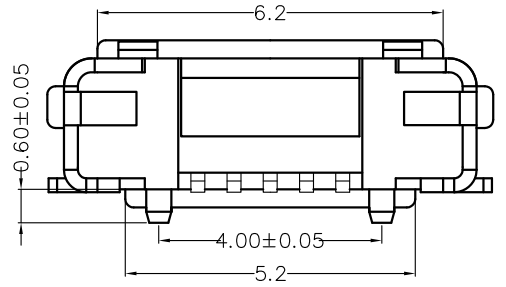
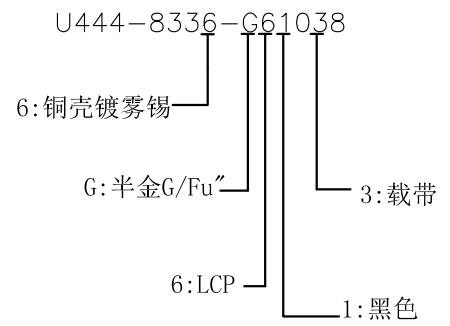
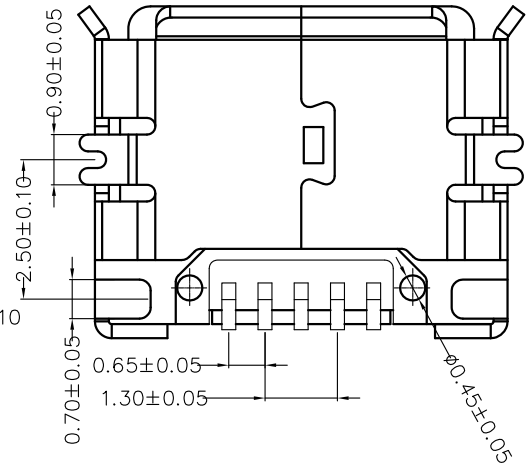
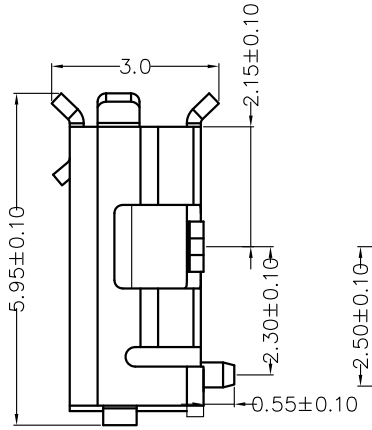
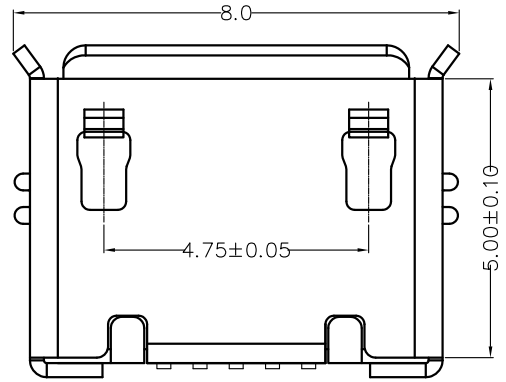
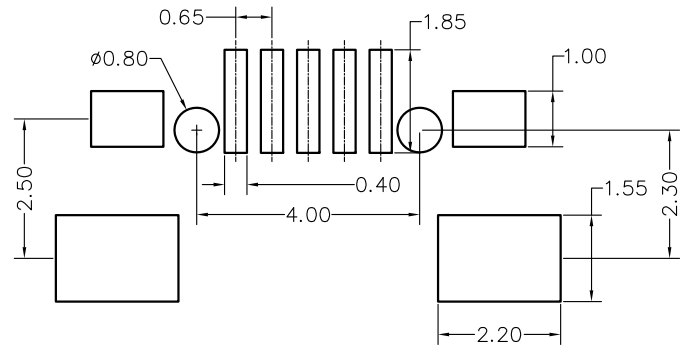
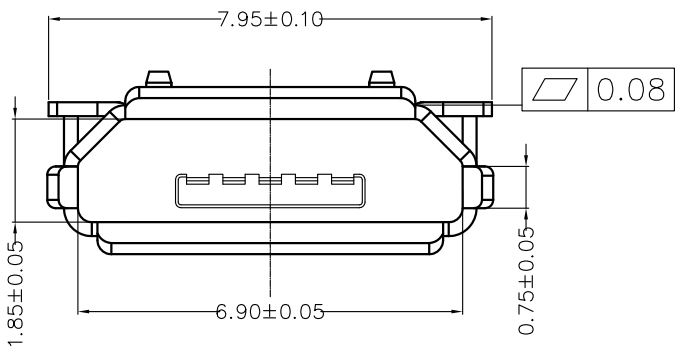


REV.	ECN.NO.	APPD.
A	EXXXXXXXXX	yangguifeng

- NOTES:
- MATERIAL:
    - Housing:thermoplastic plastics
    - terminals:Copper Alloy  
Gold plated in contact area:  
Tin plated in termination  
Nickel Plated overall
    - Shell:Steel&Copper Alloy  
Nickel/Tin Plated overall
  - ELECTRICAL CHARACTERISTICS:
    - Rating Current :1 Ampere
    - Rating Voltage :125 V Max
    - Contact Resistance:40 Milli ohms
    - Insulation Resistance:500 Mega ohms Min.
  - MECHANICAL CHARACTERISTICS:
    - Connector Mating force: 35N MAX(3.57Kgf)
  - ENVIRONMENT CHARACTERISTICS:
    - Operating temperature:-40°C to +85°C
    - Storage temperature:-40°C to +85°C

### RECOMMENDED PCB LAYOUT



TOLERANCE UNLESS OTHERWISE SPECIFIED		<b>FLW</b> 深圳市华联威电子科技有限公司				
		HUA LIAN WEI TECHNOLOGY ELECTRONICS CO;LTD.				
.XXX ±0.10	.X' ±3'	PART NAME:		MICRO 5P 四脚全贴片		
.XX ±0.20	.XX' ±2'	PART No:		U444-8336-G61038		C
.X ±0.30		APPROVED	yangguifeng	PROJECTION:	UNIT:	SCALE
		CHECKED		mm	1:1	SHEET
		DRAWN		DATE	2021.12.01	REV.
						1 OF 1
						A