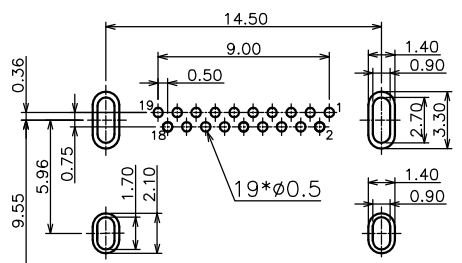
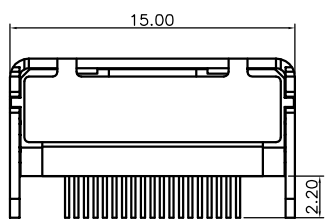
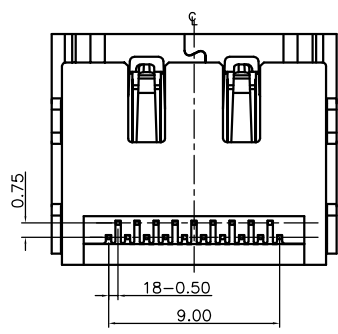
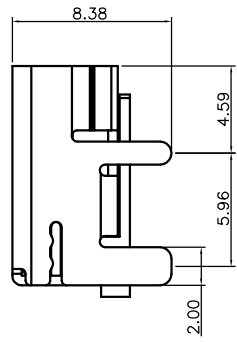
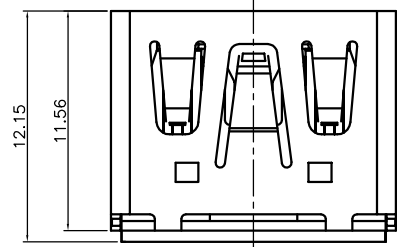
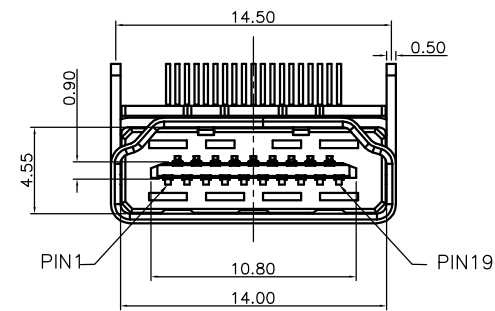


REV.	ECN.NO.	APPD.
A	/	pcy

NOTES:

1. MATERIAL:
  - 1.1 Housing:thermoplastic plastics
  - 1.2 terminals:Copper Alloy  
Gold plated in contact area:  
Tin plated in termination  
Nickel Plated overall
  - 1.3 Shell:Steel&Copper Alloy  
Nickel/Au Plated overall
2. ELECTRICAL CHARACTERISTICS:
  - 2.1 Rating Current :0.5 Ampere
  - 2.2 Rating Voltage :40 V Max
  - 2.3 Contact Resistance:30 Milli ohms
  - 2.4 Insulation Resistance:100 Mega ohms
3. MECHANICAL CHARACTERISTICS:
  - 3.1 Connector Mating force: 4.5kg MAX
  - 3.2 Connector Unmating force:1.0Kg min
  - 3.3 Durability:10000Cycles.
4. ENVIRONMENT CHARACTERISTICS:
  - 4.1 Operating temperature:-20°C to +85°C
  - 4.2 Storage temperature:-20°C to +65°C



P.C.B  
RECOMMENDED PCB LAYOUT

HD21-051X-XXX0X1

- 1:Iron alloy  
Ni plating
  - 5:Copper alloy  
Ni plating
  - 4:Iron alloy  
Au plating
  - 8:Copper alloy  
Au plating
  - 1:tray
  - 2:Tube
  - 8:Tape&Reel
  - 9:Tape&Reel+Mylar
  - 1:Black
  - 5:PA9T
  - 2:PBT
  - 6:LCP
- 1:Au 1u", 3:Au 3u"  
5:Au 5u", 7:Au 10u"  
8:Au 15u", A:Au 30u"

TOLERANCE UNLESS OTHERWISE SPECIFIED		<b>HLW</b> 深圳市华联威电子科技有限公司			
.XXX ±0.10 .XX ±0.20 .X ±0.30		HUA LIAN WEI TECHNOLOGY ELECTRONICS CO;LTD.			
APPROVED		PART NAME:	HDMI 19P/F 90度 无凸点针长1.8		
CHECKED		PART No:	HD21-051X-XXX0X1	C	
DRAWN	pengchaoyong	PROJECTION:	UNIT:	SCALE:	SHEET:
DATE	2014.12.3		mm	1:1	1 OF 1