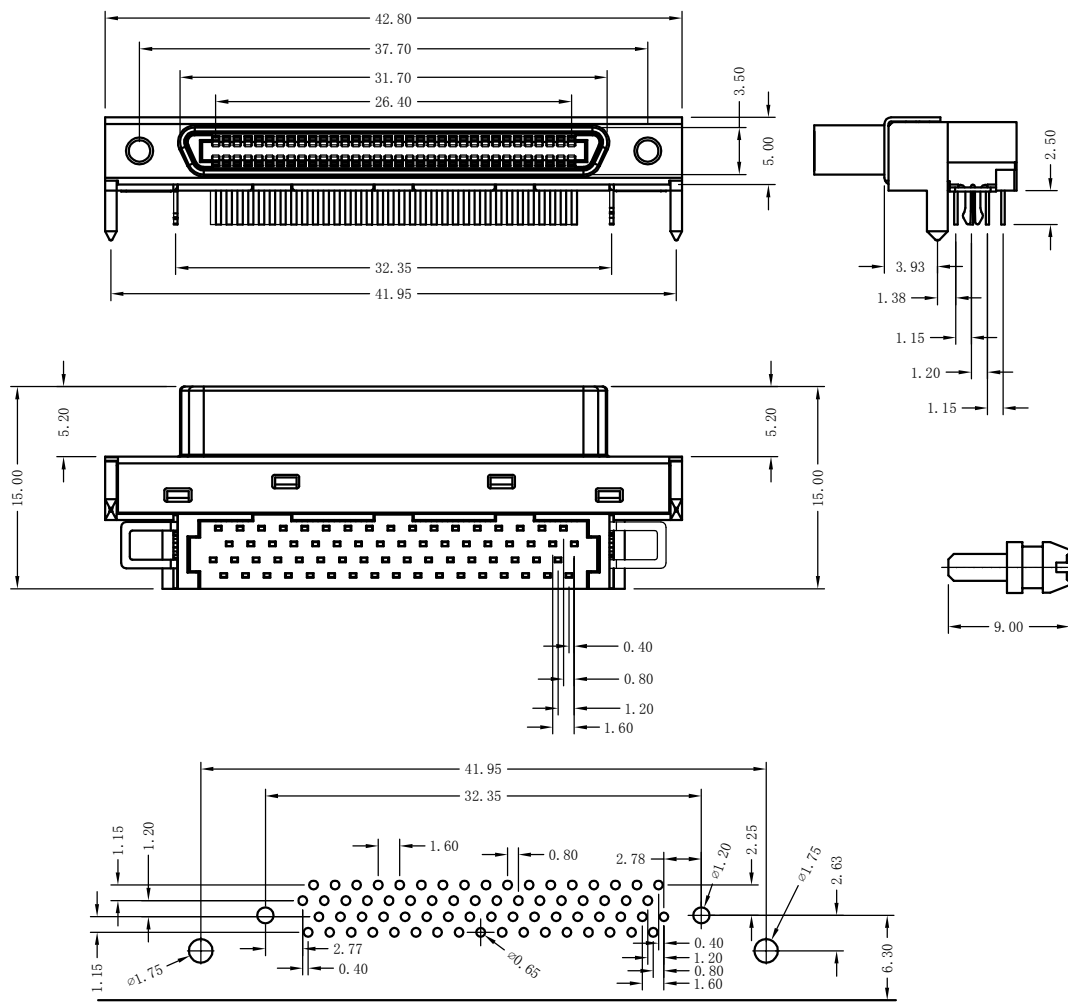


REV.	ECN.NO.	APPD.
A	XXXXXXXXXX	yangguifeng



PCB EDGE
PCB Layout

1. SPECIFICATION

- 2.1 Current Rate: 5 Amps
- 2.2 Insulator Resistance: 1000M Min. Ω
- 2.3 Dielectric Strength: 500V AC PER MIN
- 2.4 Operation Temperature: $-55^{\circ}\text{C} \sim +105^{\circ}\text{C}$
- 2.5 Contact Resistance: 30m Max Ω

DS615-0111-G217

- 1: 铁壳镀镍
- 1: 黑色
- G: 半金G/Fu"
- 2: PBT

TOLERANCE UNLESS OTHERWISE SPECIFIED		FLW 深圳市华联威电子科技有限公司				
.XXX ±0.10		HUA LIAN WEI TECHNOLOGY ELECTRONICS CO.;LTD.				
.XX ±0.20		.X' ±3'				
.X ±0.30		.XX' ±2'				
APPROVED		PART NAME:	VHDCI 68P母鱼叉脚带螺丝卧式			
CHECKED		PART No:	DS615-0111-G217			C
DRAWN	yangguifeng	PROJECTION:	UNIT:	SCALE	SHEET	REV.
DATE	2021.12.01		mm	1:1	1 OF 1	A