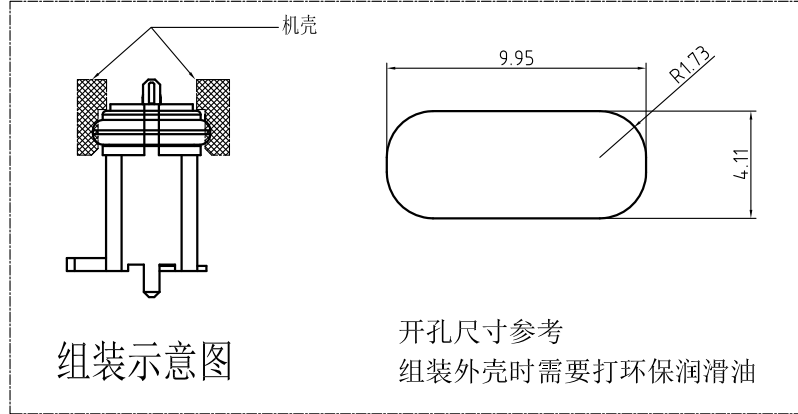
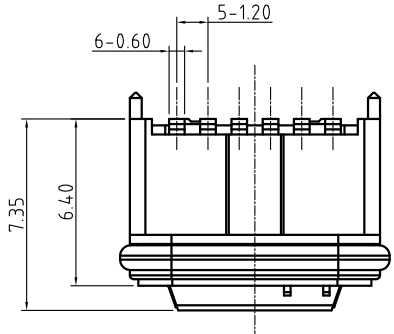
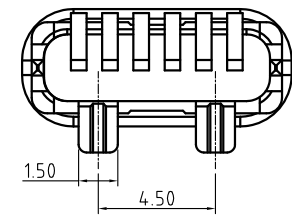
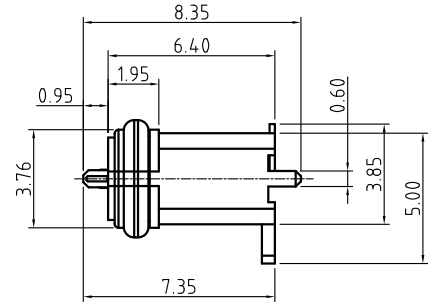
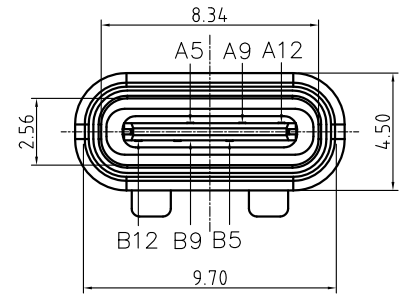


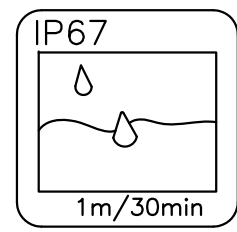
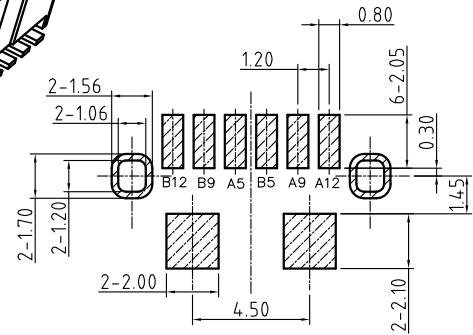
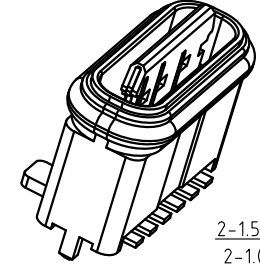
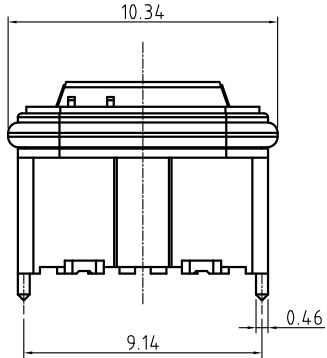
REV.	ECN.NO.	APPD.
A	XXXXXXXXXX	chenyiting



NOTES:  
 1.MATERIAL:  
 1.1 Housing:thermoplastic plastics  
 1.2 terminals:Copper Alloy  
 Gold plated in contact area:  
 Tin plated in termination  
 Nickel Plated overall  
 1.3 Shell:Steel&Copper Alloy  
 Nickel/Au Plated overall  
 2.characteristics:  
 2.1 Rating Voltage : 30V AC.  
 2.2 Rating Current:  
 5A for Vbus PIN;1.25A for Vconn PIN  
 2.3 Contact Resistance:40 mΩ MAX.  
 2.4 Insulation Resistance:100 MΩ MIN.  
 2.5 Withstanding Voltage:AC 100V  
 2.6 Mating force: 5~20N MAX  
 2.7 Extraction force:8~20N Min  
 2.8 Life test:10000Cycles MIN.  
 2.9 Temperature Range: -30℃~+80℃.  
 The product must be compliance ROHS



U574-131B-G91038  
 B: 不锈钢镀镍  
 G: 半金G/Fu  
 9: PA10T  
 3: 载带  
 1: 黑色



RECOMMENDED P. C. B LAYOUT  
 TOP VIEW (TOLRANCE: ±0.05)

TOLERANCE UNLESS OTHERWISE SPECIFIED	
.XXX ±0.10	.X ±3'
.XX ±0.20	.XX' ±2'
.X ±0.30	

**FLW** 深圳市华联威电子科技有限公司  
 HUA LIAN WEI TECHNOLOGY ELECTRONICS CO

A5	CC1	B12	GND
A9	VBUS	B9	VBUS
A12	GND	B5	CC2
PIN	SIGNAL NAME	PIN	SIGNAL NAME

APPROVED		PART NAME:	TYPE C 6P 拉伸款立式			
CHECKED		PART No:	U574-131B-G91038			C
DRAWN	chenyiting	PROJECTION:	UNIT:	SCALE	SHEET	REV.
DATE	2023.06.30		mm	1:1	1 OF 1	A