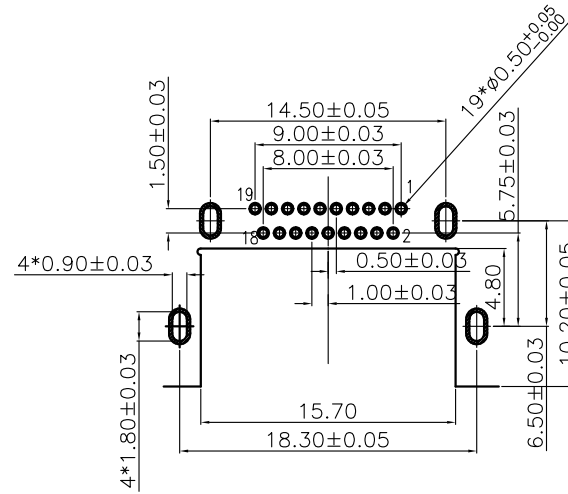
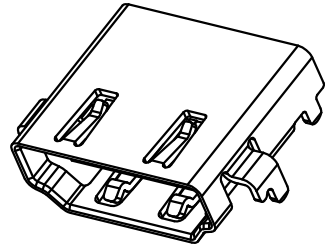
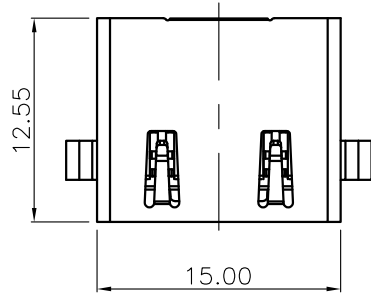
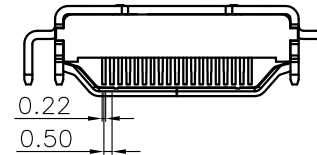
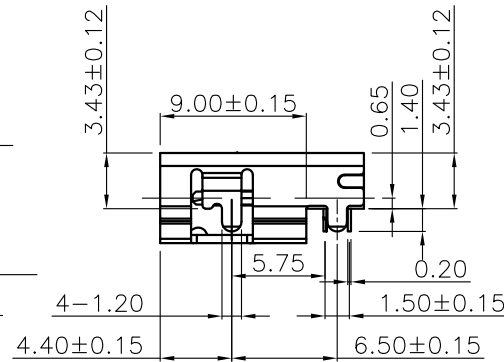
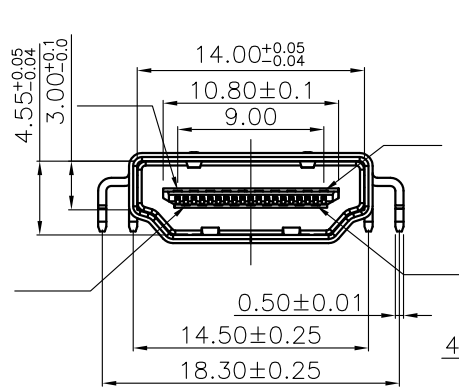


| REV. | ECN.NO. | APPD. |
|------|-------------|-------------|
| A | EXXXXXXXXXX | yangguifeng |

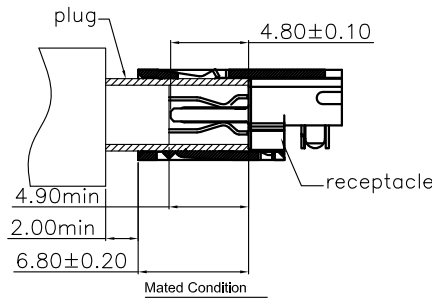
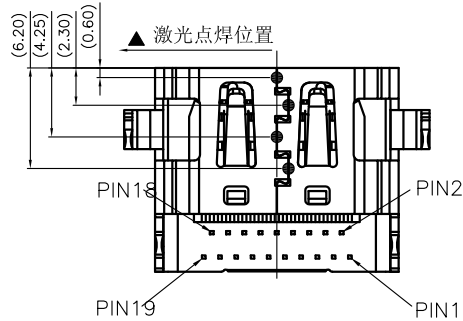


- NOTES:
- MATERIAL:
 - Housing:thermoplastic plastics
 - terminals:Copper Alloy
Gold plated in contact area:
Tin plated in termination
Nickel Plated overall
 - Shell:Steel&Copper Alloy
Nickel/Au Plated overall
 - ELECTRICAL CHARACTERISTICS:
 - Rating Current :0.5 Ampere
 - Rating Voltage :40 V Max
 - Contact Resistance:30 Milli ohms
 - Insulation Resistance:100 Mega ohms Min.
 - MECHANICAL CHARACTERISTICS:
 - Connector Mating force: 4.5kg MAX
 - Connector Unmating force:1.0Kg min
 - Durability:10000Cycles.
 - ENVIRONMENT CHARACTERISTICS:
 - Operating temperature:-20°C to +85°C
 - Storage temperature:-20°C to +65°C

RECOMMENDED PCB LAYOUT
GENERAL TOLERANCES:±0.05(TOP VIEW)



HD2B-021B-G61038
B: 不锈钢镀镍
G: 半金G/Fu
3: 载带
1: 黑色
6: LCP



| TOLERANCE UNLESS OTHERWISE SPECIFIED | | FLW 深圳市华联威电子科技有限公司 HUA LIAN WEI TECHNOLOGY ELECTRONICS CO;LTD. | | | | |
|--------------------------------------|----------|---|---------------------------|-------------|--------|-------|
| .XXX ±0.10 | .X' ±3' | APPROVED | PART NAME: HDMI 19P 90度沉板 | | | |
| .XX ±0.20 | .XX' ±2' | CHECKED | PART No: HD2B-021B-G61038 | | | C |
| .X ±0.30 | | DRAWN | yangguifeng | PROJECTION: | UNIT: | SCALE |
| | | DATE | 2021.12.01 | | mm | 1:1 |
| | | | | | SHEET | REV. |
| | | | | | 1 OF 1 | A |