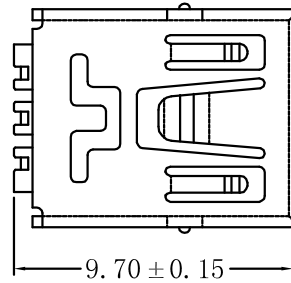
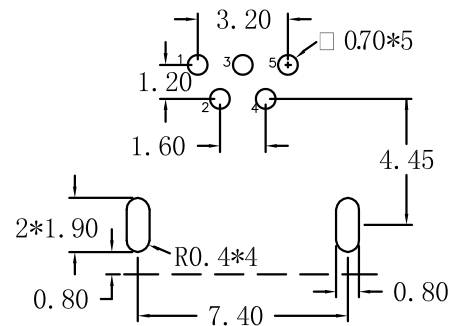
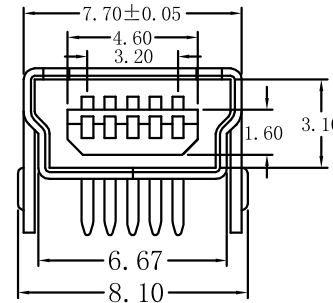
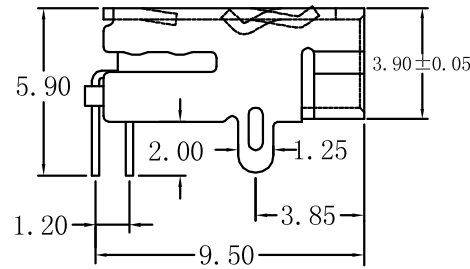
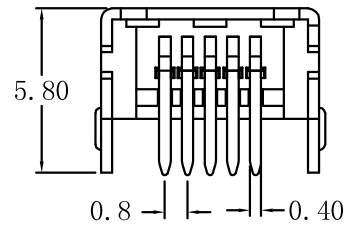


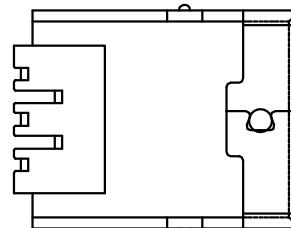
| | | |
|------|---------|-------|
| REV. | ECN.NO. | APPD. |
| A0 | / | / |



- NOTES:
- MATERIAL:
 - Housing: thermoplastic plastics,
 - terminals: Copper Alloy
Gold plated in contact area:
Tin 40u"min plated in termination
Nickel Plated overall
 - Shell: Steel & Copper Alloy
Nickel/Tin Plated overall
 - ELECTRICAL CHARACTERISTICS:
 - Rating Current : 1.5 Ampere
 - Rating Voltage : 30 V Max
 - Contact Resistance: 50 Milli ohms
 - Insulation Resistance: 100 Mega ohms Min.
 - MECHANICAL CHARACTERISTICS:
 - Connector Mating force: 35N MAX
 - Connector Unmating force: 7N min
 - ENVIRONMENT CHARACTERISTICS:
 - Operating temperature: -0°C to +50°C
 - Storage temperature: -20°C to +60°C



RECOMMENDED PCB LAYOUT



U141-0615-XXX018

G: 半金G/F
1: 黑色
6: LCP

| | | | | | |
|--------------------------------------|-----------|---------------------------|---|------------------|-------|
| TOLERANCE UNLESS OTHERWISE SPECIFIED | | FLW 深圳市华联威电子科技有限公司 | | | |
| .XXX ±0.10 | .XX ±0.20 | .X ±0.30 | HUA LIAN WEI TECHNOLOGY ELECTRONICS CO;LTD. | | |
| APPROVED | | PART NAME: | | MINI 5P/F 90° 两脚 | |
| CHECKED | | PART No: | | U141-0615-G61018 | C |
| DRAWN | | weihong | PROJECTION: | UNIT: | SCALE |
| DATE | | 2021. 10. 6 | | mm | 1:1 |
| | | | | SHEET | REV. |
| | | | | 10F1 | A0 |