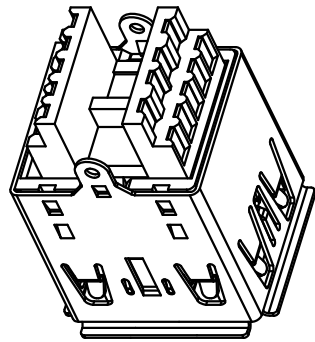
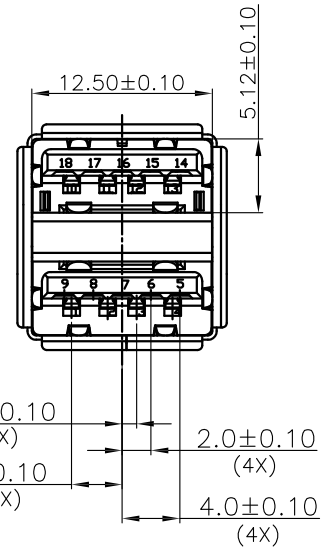
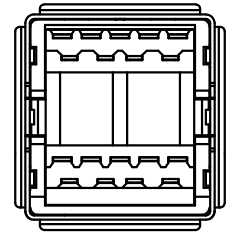
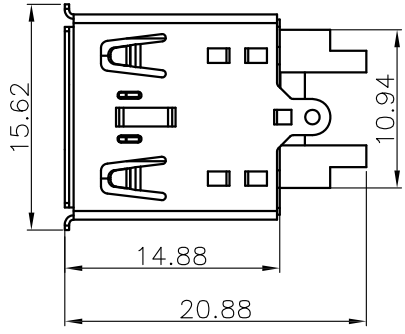
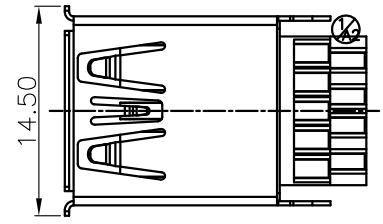


9 8 7 6 5 4 3 2 1

REV.	ECN.NO.	APPD.
A	/	/



Remark:
 1.MATERIAL:
 1.1 Housing:thermoplastic plastics.
 1.2 terminals:Copper Alloy
 1.3 Front Shell:Copper Alloy/SPCC.
 Middle Shell:SPCC
 2.characteristics:
 2.1 Rating Voltage : 30V AC.
 2.2 Rating Current:PIN1&PIN4(Vbus&Correponding ground PIN)
 1.8A MAX Other PINS 0.25A min.
 2.3 Contact Resistance:PIN1&PIN4:30 mΩ MAX. Other PINS: 50 mΩ
 2.4 Insulation Resistance:100 MΩ MIN.
 2.5 Withstanding Voltage:AC 100V between adjacent contacts
 2.6 Mating force: 3.57Kgf MAX(35N MAX)
 2.7 Extraction force:1Kgf Min(9.8N Min)
 2.8 Life test:1500Cycles MIN.
 2.9 Temperature Range: -30℃~+80℃.



1.0±0.10 (4X)
 2.0±0.10 (4X)
 3.5±0.10 (4X)
 4.0±0.10 (4X)

U321-1521-G27017
 1: 铁壳镀镍
 G: 半金G/Fu”
 1: 吸塑盒
 7: 蓝色
 2: PBT

TOLERANCE UNLESS OTHERWISE SPECIFIED		FLW 深圳市华联威电子科技有限公司			
.XXX ±0.10 .XX ±0.20 .X ±0.30		.X ±3' .XX ±2'		HUA LIAN WEI TECHNOLOGY ELECTRONICS CO;LTD.	
APPROVED		PART NAME:	3.0 AF 双层180度 焊线		
CHECKED		PART No:	U321-1521-G27017	C	
DRAWN	chenyiting	PROJECTION:	UNIT:	SCALE	SHEET
DATE	2023.04.06		mm	1:1	10F1
					REV. A

9 8 7 6 5 4 3 2 1