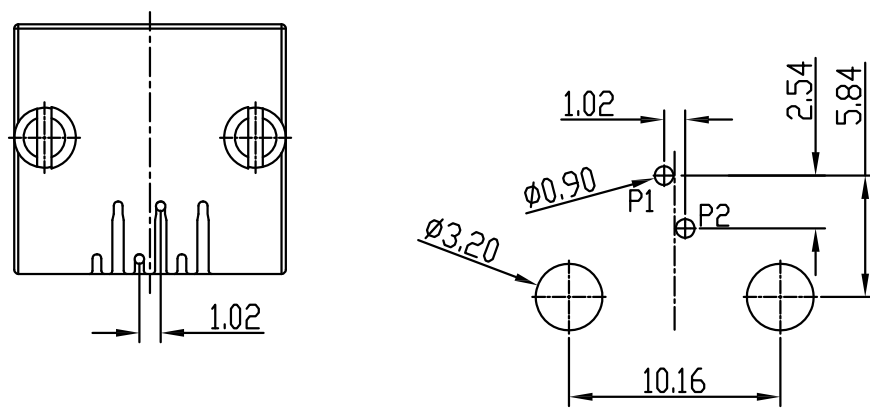
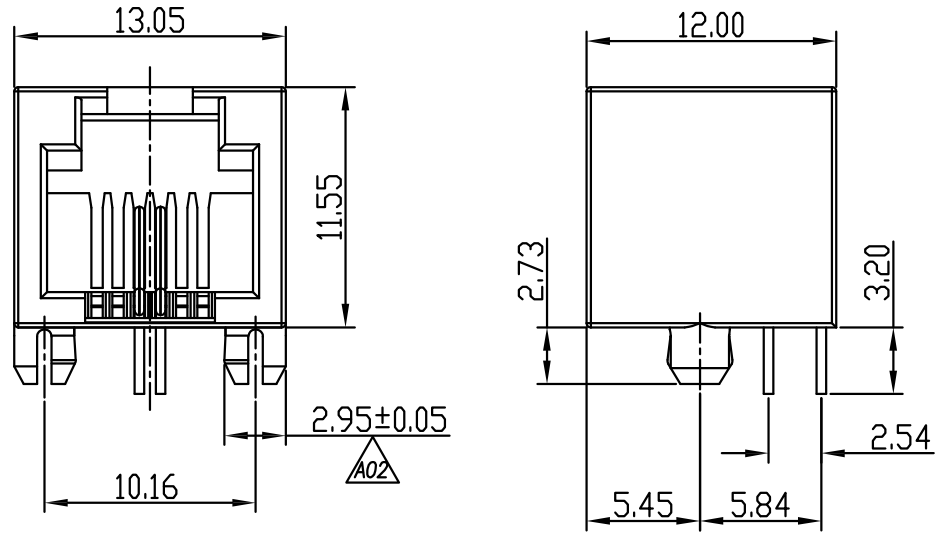


REV.	ECN.NO.	APPD.
A	EXXXXXXXXXXX	weihong

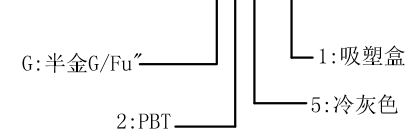


Recommend PCB Layout
 Jack Top View
 Tolerance: ±0.05mm
 Recommend PCB Thickness: 1.6mm

NOTES:

- 1.MATERIAL:
 - 1.1 Housing:thermoplastic plastics
 - 1.2 terminals:Copper Alloy
Gold plated in contact area:
OR Gold Plated overall
 - 1.3 Shell:Steel&Copper Alloy
Nickel/Tin Plated overall
- 2.ELECTRICAL CHARACTERISTICS:
 - 2.1 Rating Current :1.5 Ampere
 - 2.2 Rating Voltage :125 V Max
 - 2.3 Contact Resistance:50 Milli ohms
 - 2.4 Insulation Resistance:500 Mega ohms Min.
- 3.MECHANICAL CHARACTERISTICS:
 - 3.1 Connector Mating force: 2.27kgf MAX
 - 3.2 Durability:750Cycles.
- 4.ENVIRONMENT CHARACTERISTICS:
 - 4.1 Operating temperature:-40°C to +85°C
 - 4.2 Storage temperature:-10°C to +40°C

R120-11600-G25017



TOLERANCE UNLESS OTHERWISE SPECIFIED		FLW 深圳市华联威电子科技有限公司				
.XXX ±0.10 .XX ±0.20 .X ±0.30		HUA LIAN WEI TECHNOLOGY ELECTRONICS CO;LTD.				
.X' ±3' .XX' ±2'		PART NAME:		RJ11 6P2C 全塑		
APPROVED		PART No:		R120-11600-G25017	C	
CHECKED		PROJECTION:	UNIT:	SCALE:	SHEET:	REV.
DRAWN	weihong		mm	1:1	1 OF 1	A
DATE	2023.03.15					