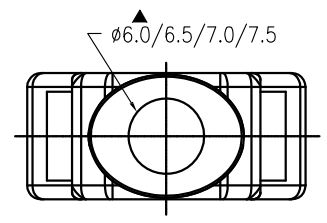
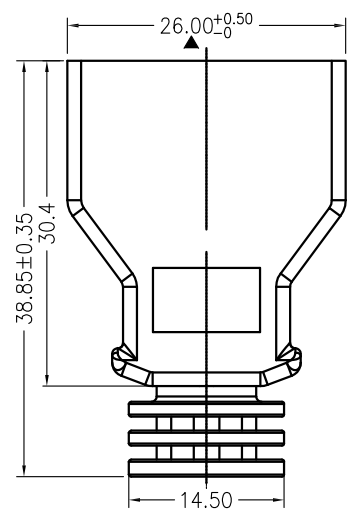
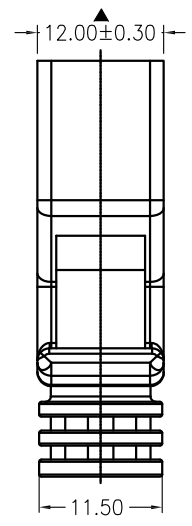
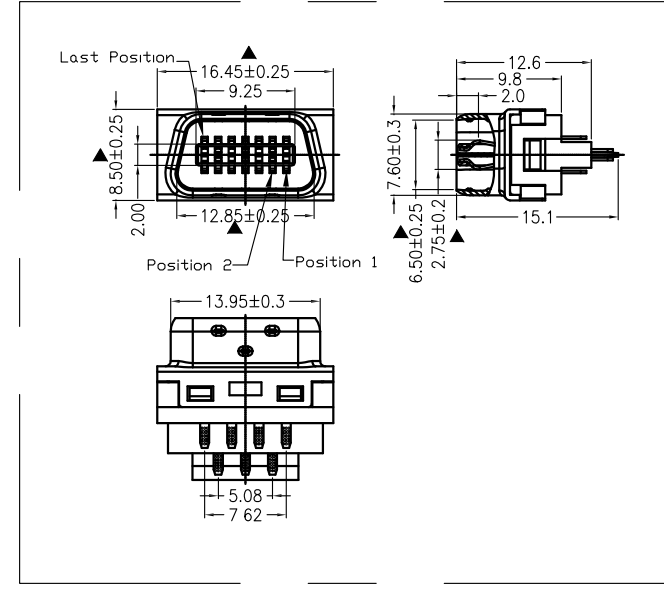
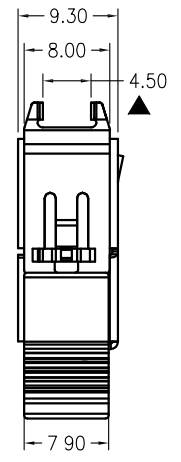
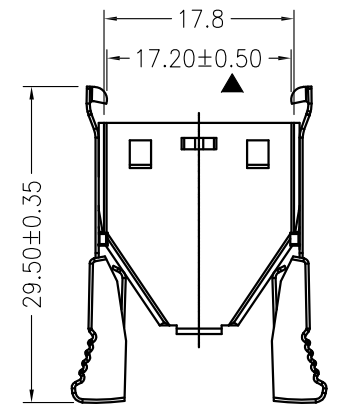
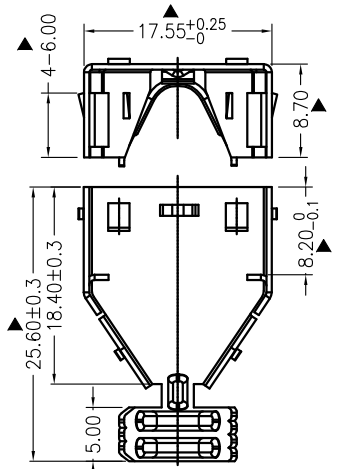


REV.	ECN.NO.	APPD.
A	EXXXXXXXXXX	chenyiting



1.SPECIFICATION

- 2.1 Current Rate:5 Amps
- 2.2 Insulator Resistance:1000MΩ Min.
- 2.3 Dielectric Strength:500V AC PER MIN
- 2.4 Operation Temperature:-55℃~+105℃
- 2.5 Contact Resistance:30mΩ Max

DS812-5911-G217  
 1:铁壳镀镍  
 G:半金G/Fu  
 2:PBT  
 1:黑色

TOLERANCE UNLESS OTHERWISE SPECIFIED		<b>FLW</b> 深圳市华联威电子科技有限公司				
		HUA LIAN WEI TECHNOLOGY ELECTRONICS CO;LTD.				
.XXX ±0.10	.XX ±0.20	.X ±0.30	.X' ±3'	.XX' ±2'	PART NAME: D-SUB 焊线公座14PIN带护套	
APPROVED			PART No:		DS812-5911-G217	
CHECKED			PROJECTION:		UNIT:	SCALE
DRAWN	chenyiting	DATE		2022.04.06	mm	1:1
					SHEET	REV.
					10F1	A