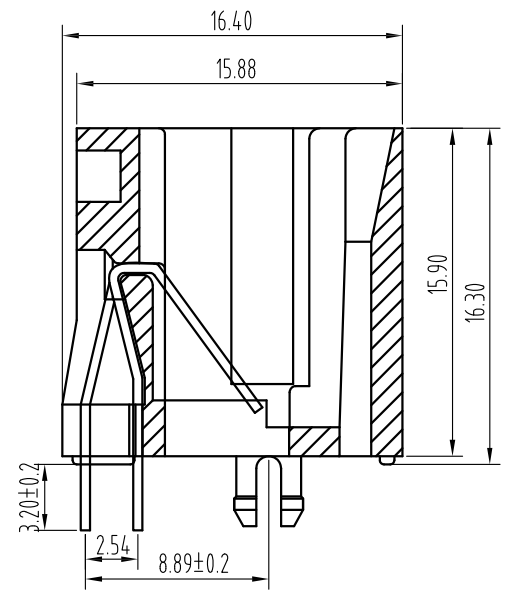
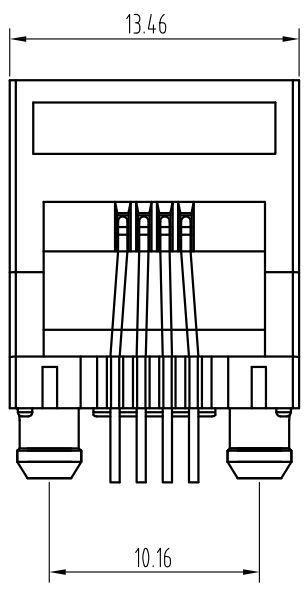
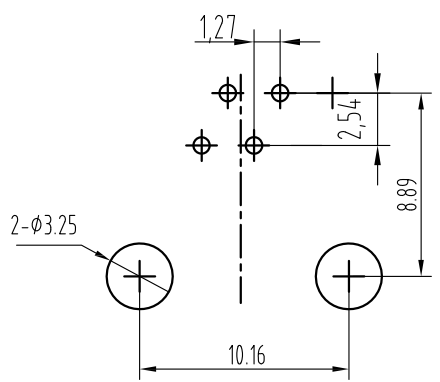
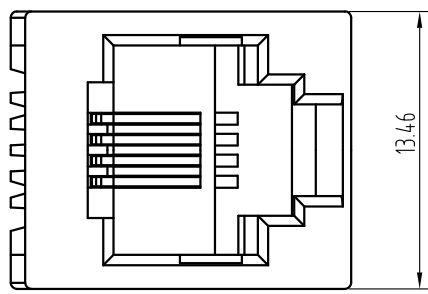


REV.	ECN.NO.	APPD.
A	XXXXXXXXXX	chenyiting



- NOTES:
- MATERIAL:
    - Housing:thermoplastic plastics
    - terminals:Copper Alloy  
Gold plated in contact area:  
OR Gold Plated overall
    - Shell:Steel&Copper Alloy  
Nickel/Tin Plated overall
  - ELECTRICAL CHARACTERISTICS:
    - Rating Current :1.5 Ampere
    - Rating Voltage :125 V Max
    - Contact Resistance:50 Milli ohms
    - Insulation Resistance:500 Mega ohms Min.
  - MECHANICAL CHARACTERISTICS:
    - Connector Mating force: 2.27kgf MAX
    - Durability:750Cycles.
  - ENVIRONMENT CHARACTERISTICS:
    - Operating temperature:-40°C to +85°C
    - Storage temperature:-10°C to +40°C



PC Board Layout  
Component Side Shown

R120-11100-G21017

- G:半金G/Fu" — 1:吸塑盒
- 2:PBT — 1:黑色

TOLERANCE UNLESS OTHERWISE SPECIFIED		<b>FLW</b> 深圳市华联威电子科技有限公司				
.XXX ±0.10 .XX ±0.20 .X ±0.30		.X' ±3' .XX' ±2'		HUA LIAN WEI TECHNOLOGY ELECTRONICS CO;LTD.		
APPROVED		PART NAME:	RJ11 6P4C 180度 无灯全塑			
CHECKED		PART No:	R120-11100-G21017	C		
DRAWN	chenyiting	PROJECTION:	UNIT:	SCALE	SHEET	REV.
DATE	2023.06.05		mm	1:1	10F1	A