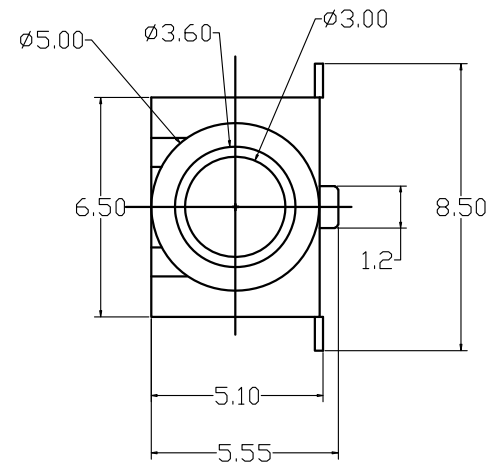
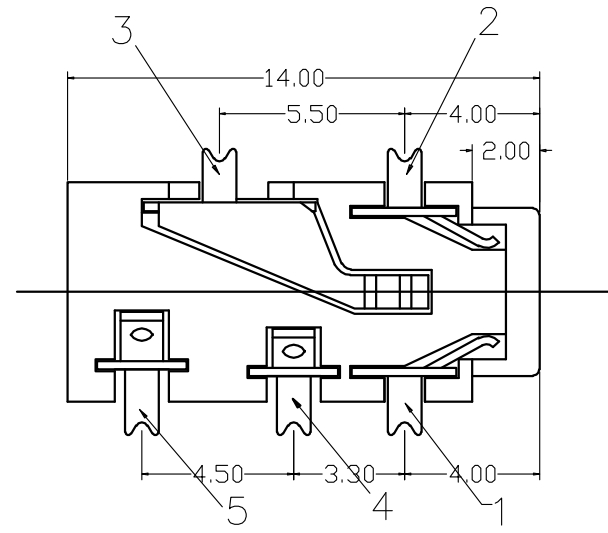
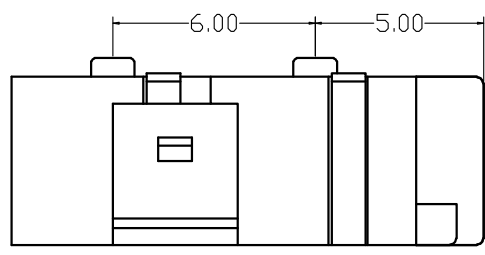


RFV.	ECN.NO.	APPD.
/	/	/

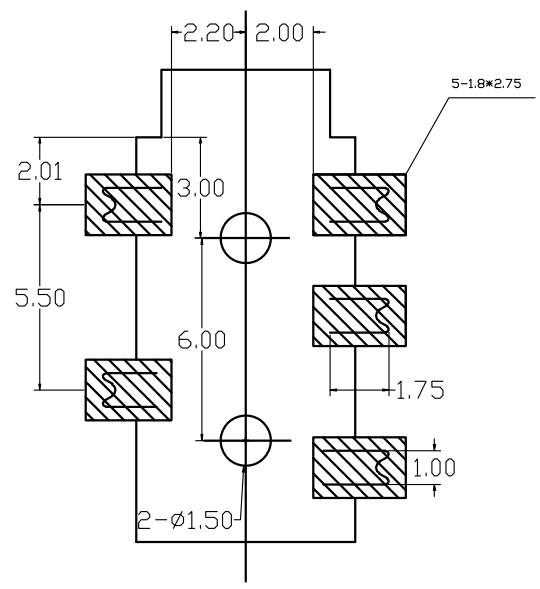
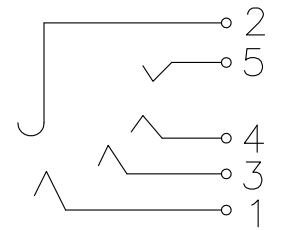


1. CURRENT RATING : 1.0 AMP. MAX.
2. DIELECTRIC WITHSTANDING : AC 500V/min R.M.S.
3. INSULATION RESISTANCE : 100MΩ min. AT 100V DC.
4. CONTACT RESISTANCE : 50mΩ MAX.
5. OPERATING TEMPERATURE : -25°C TO +85°C.
6. DURABILITY : 1500 CYCLES.
7. MATING FORCE : 3kgs MAX
8. UNMATING FORCE : 0.3~3.0kgs
9. MAX PROCESSING TEMPERATURE : 60 SECONDS IN 230°C AND 10 SECONDS IN 260°C

JK1-199-GA17
 G:镀银
 A:PPA
 1:黑色



电原理图



TOLERANCE UNLESS OTHERWISE SPECIFIED		HLW 深圳市华联威电子科技有限公司 HUA LIAN WEI TECHNOLOGY ELECTRONICS CO; LTD.			
.XXX ±0.10	.XX ±0.20	.X ±0.30	.X' ±3'	.XX' ±2'	
APPROVED		PART NAME:	PJ-327F贴片耳机座		
CHECKED		PART No:	JK1-199-GA17	C	
DRAWN	chenyiting	PROJECTION:	UNIT:	SCALE	SHEET
DATE	2023.04.04		mm	1:1	10F1
					REV. A