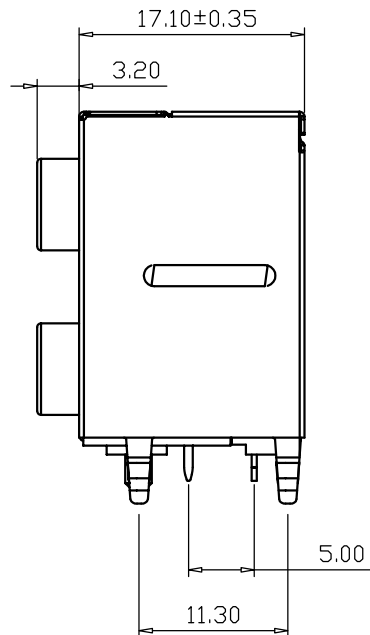
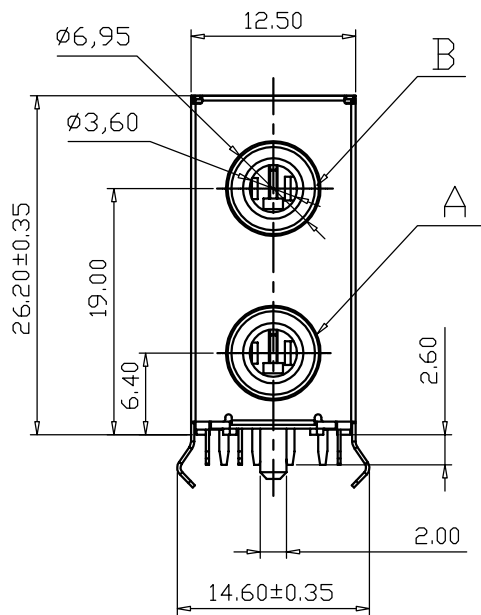
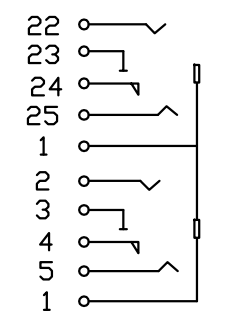
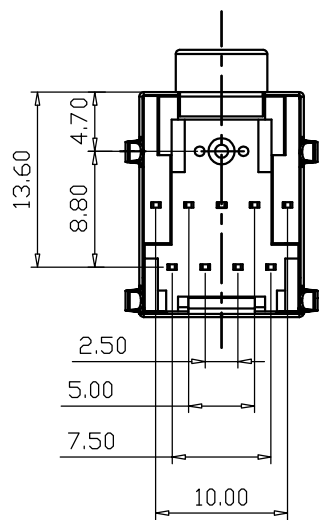


REV.	ECN.NO.	APPD.
A	/	/

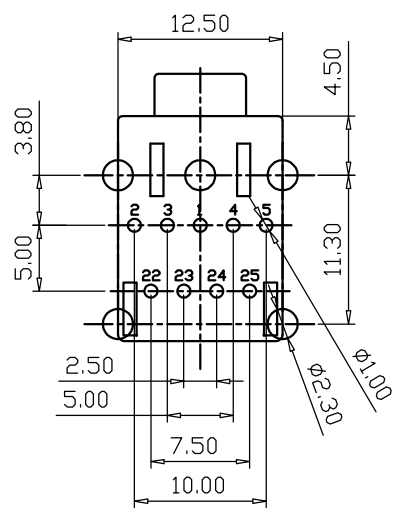


- 1.CURRENT RATING : 1.0 AMP. MAX.
- 2.DIELECTRIC WITHSTANDING : AC 500V/min R.M.S.
- 3.INSULATION RESISTANCE : 100MΩ min. AT 100V DC.
- 4.CONTACT RESISTANCE : 50mΩ MAX.
- 5.OPERATING TEMPERATURE : -25°C TO +85°C.
- 6.DURABILITY : 1500 CYCLES.
- 7.MATING FORCE : 3kgs MAX
- 8.UNMATING FORCE :0.3~3.0kgs
- 9.MAX PROCESSING TEMPERATURE : 60 SECONDS IN 230°C AND 10 SECONDS IN 260°C

JK1-034-G217  
 G: Au G/Fu"  
 1:上绿下粉  
 2:PBT



CIRCUIT SCHEMATIC



RECOMMENDED PCB LAYOUT  
 (ALL TOLERANCES ARE ±0.05)

TOLERANCE UNLESS OTHERWISE SPECIFIED		<b>HLW</b> 深圳市华联威电子科技有限公司			
.XXX ±0.10		HUA LIAN WEI TECHNOLOGY ELECTRONICS CO;LTD.			
.XX ±0.20		X' ±3'			
.X ±0.30		XX' ±2'			
APPROVED		PART NAME:	JACK 1x2 上绿下粉		
CHECKED		PART No:	JK1-034-G217	C	
DRAWN	chenyiting	PROJECTION:	UNIT:	SCALE	SHEET
DATE	2023. 04. 21		mm	1:1	10F1
					REV. A