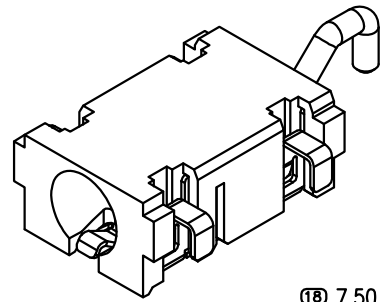
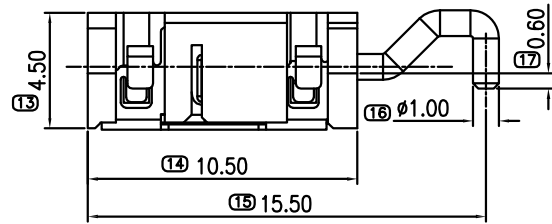
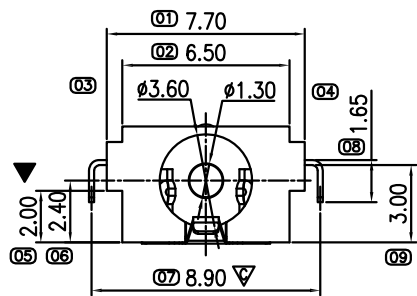
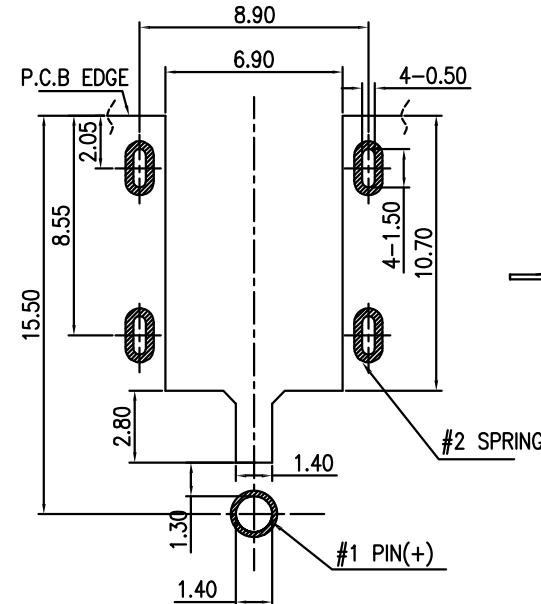
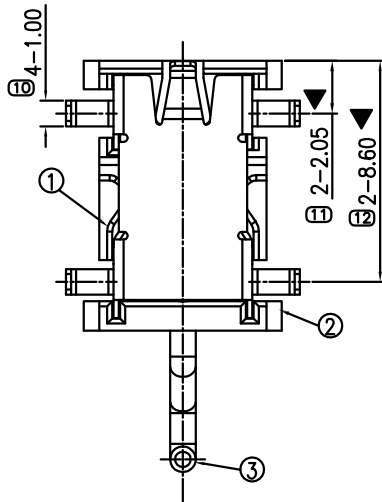


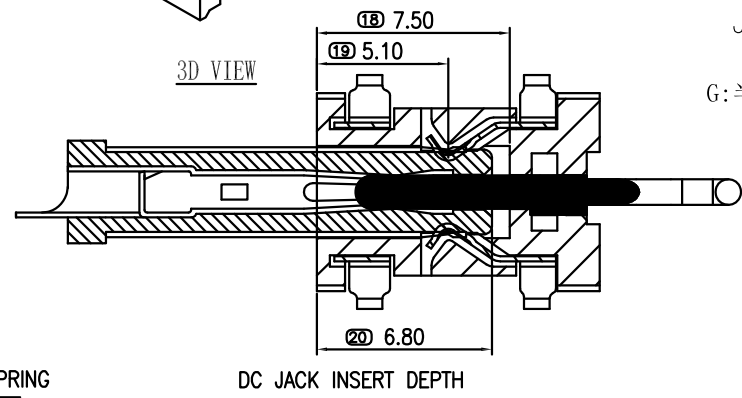
REV.	ECN.NO.	APPD.
A	XXXXXXXXXX	yangguifeng



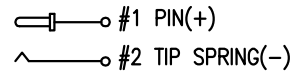
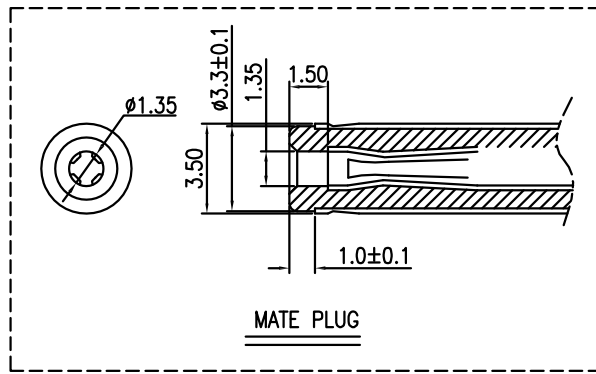
- 1.CURRENT RATING : 1.0 AMP. MAX.
- 2.DIELECTRIC WITHSTANDING : AC 500V/min R.M.S.
- 3.INSULATION RESISTANCE : 100MΩ min. AT 100V DC.
- 4.CONTACT RESISTANCE : 50mΩ MAX.
- 5.OPERATING TEMPERATURE : -25°C TO +85°C.
- 6.DURABILITY : 1500 CYCLES.
- 7.MATING FORCE : 3kgs MAX
- 8.UNMATING FORCE : 0.3~3.0kgs
- 9.MAX PROCESSING TEMPERATURE :
- 60 SECONDS IN 230°C AND 10 SECONDS IN 260°C



RECOMMENDED PCB LAYOUT  
TOP VIEW (TOLERANCE:±0.05)



JK1-206-G817  
G: 半金G/Fu"  
1: 黑色  
8: PAA



ELECTRICAL CIRCUIT

TOLERANCE UNLESS OTHERWISE SPECIFIED	
.XXX ±0.10	.X' ±3'
.XX ±0.20	.XX' ±2'
.X ±0.30	

**FLW** 深圳市华联威电子科技有限公司  
HUA LIAN WEI TECHNOLOGY ELECTRONICS CO

APPROVED		PART NAME:	DC 沉板2.0中心柱1.3			
CHECKED		PART No:	JK1-206-G817			C
DRAWN	yangguifeng	PROJECTION:	UNIT:	SCALE	SHEET	REV.
DATE	2021.12.01		mm	1:1	1 OF 1	A