

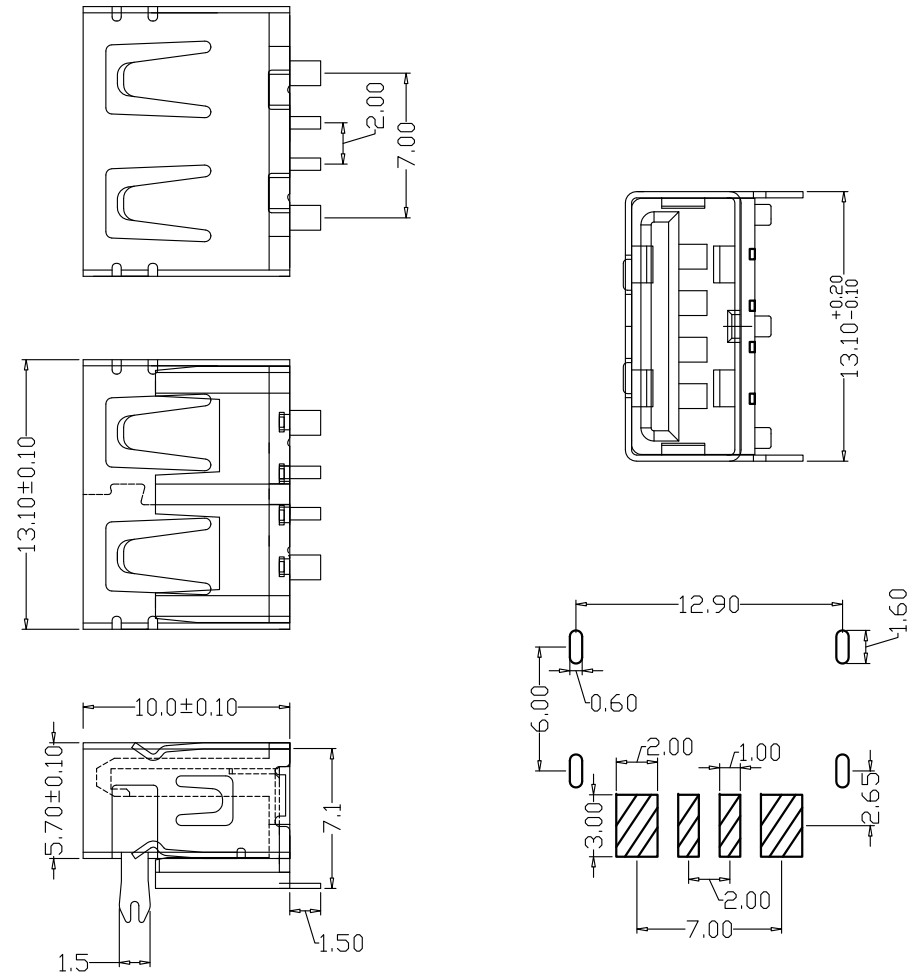
| REV. | ECN.NO. | APPD. |
|------|---------|-------|
| A | / | / |

NOTES:

- 1.MATERIAL:
 - 1.1 Housing:thermoplastic plastics
 - 1.2 terminals:Copper Alloy
Gold plated in contact area:
Tin plated in termination
Nickel Plated overall
 - 1.3 Shell:Steel&Copper Alloy
Nickel Plated overall
- 2.ELECTRICAL CHARACTERISTICS:
 - 2.1 Rating Current :1.5 Ampere
 - 2.2 Rating Voltage :30 V Max
 - 2.3 Contact Resistance:30 Milli ohms
 - 2.4 Insulation Resistance:1000 Mega ohms Min.
- 3.MECHANICAL CHARACTERISTICS:
 - 3.1 Connector Mating force: 35N MAX(3.57Kgf)
 - 3.2 Connector Unmating force:10N min(1.02Kgf)
 - 3.3 Durability:1500Cycles.
- 4.ENVIRONMENT CHARACTERISTICS:
 - 4.1 Operating temperature:-0°C to +50°C
 - 4.2 Storage temperature:-20°C to +60°C

U221-6711-G61018

- 1:铁壳镀镍
- G:半金G/Fu"
- 1:吸塑盒
- 1:黑色
- 6:LCP



| | | | | | | |
|--------------------------------------|-----------|---|--------------------------|----------|-------|------|
| TOLERANCE UNLESS OTHERWISE SPECIFIED | | 深圳市华联威电子科技有限公司 HUA LIAN WEI TECHNOLOGY ELECTRONICS CO;LTD. | | | | |
| .XXX ±0.10 | .XX ±0.20 | .X ±0.30 | .X' ±3' | .XX' ±2' | | |
| APPROVED | | PART NAME: | USB AF短体7.0两脚直边贴板无耳大电流黑铁 | | | |
| CHECKED | | PART No: | U221-6711-G61018 | C | | |
| DRAWN | weihong | PROJECTION: | UNIT: | SCALE | SHEET | REV. |
| DATE | 2021.9.23 | | mm | 1:1 | 10F1 | A |