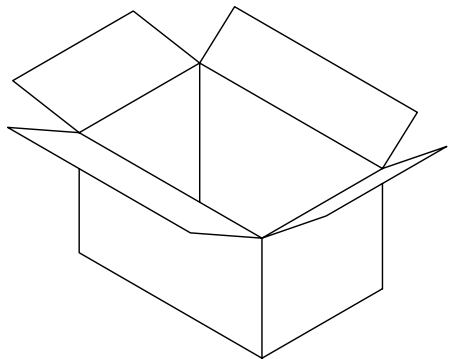
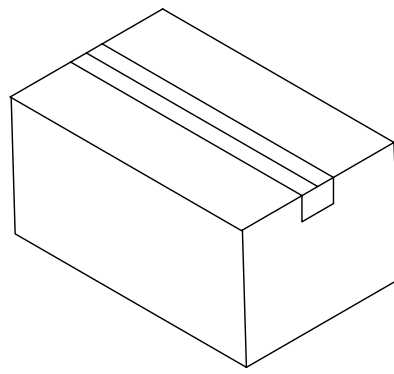
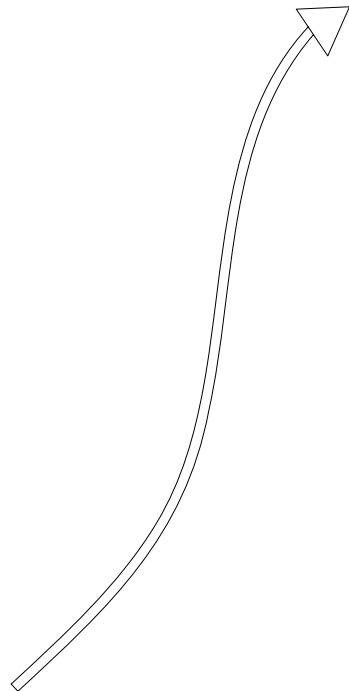


每袋装1000PCS



每箱装10袋共10000PCS



1. 将1000PCS全检后的良品装入PE袋中,用封口机封口,并贴上标签
2. 将装好产品并封口后的PE袋整齐的放入纸箱中,每箱装10袋共10000PCS
3. 用透明胶封好纸箱,并贴好标签

| |
|--------------------------------------|
| TOLERANCE UNLESS OTHERWISE SPECIFIED |
| .XX ±0.15 |
| .X ±0.30 |
| X ±0.50 |
| .X' ±3° |

| | | |
|--------------------|-------------------|---|
| 产品名称 PART NAME: | MICRO 5P/M系列 包装规范 | |
| 图号 | J0-P-1005 | P |

| | | | | | | | |
|-------|----------|--------|----------|------|-------------|------------------------|------------|
| ITEM: | REVISION | REV BY | APPROVED | DATE | MATL: | SEE SPECIFICATION | APPROVED |
| | | | | | PROJECTION: | THIRD ANGLE PROJECTION | CHECKED |
| | | | | | UNIT: | SCALE | REV(NO) |
| | | | | | mm | 1:1 | A |
| | | | | | | SHEET | DRAWN |
| | | | | | | 1 OF 1 | DATE |
| | | | | | | | ZouJianhui |
| | | | | | | | 2011.07.30 |

| | |
|--|--|
| FLW 深圳市华联威电子科技有限公司 | |
| HUA LIAN WEI TECHNOLOGY ELECTRONICS CO; LTD. | |