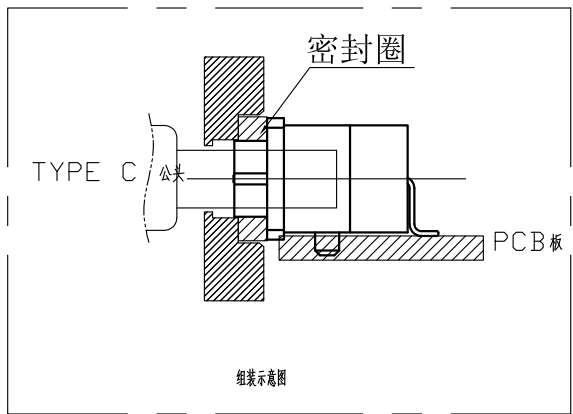
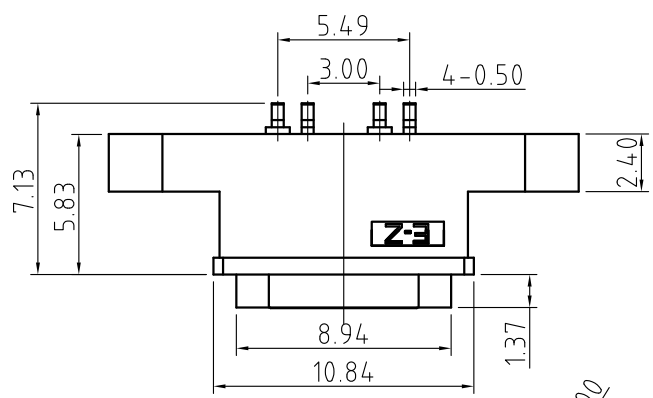
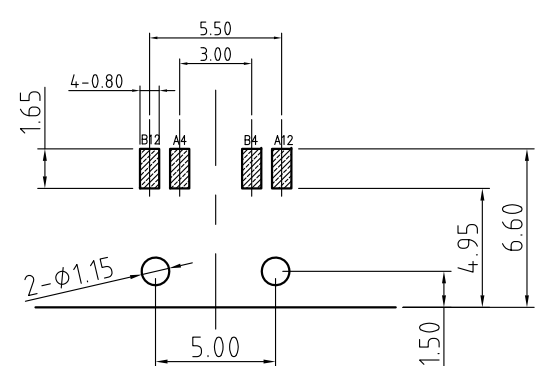
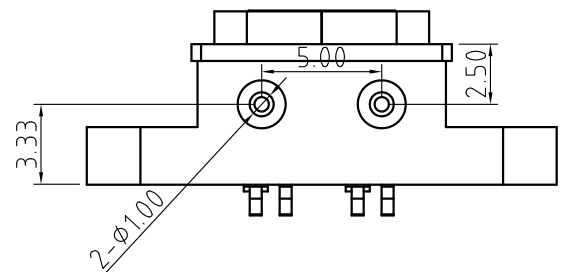
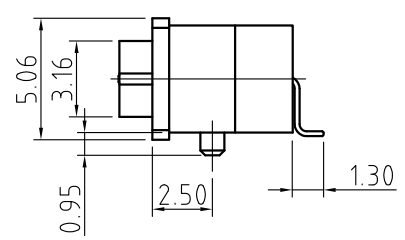
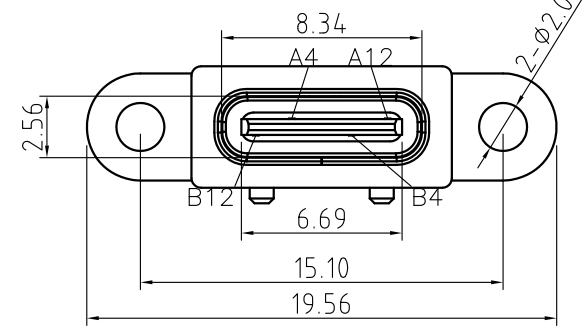


REV.	ECN.NO.	APPD.
A	EXXXXXXXXXX	yangguifeng



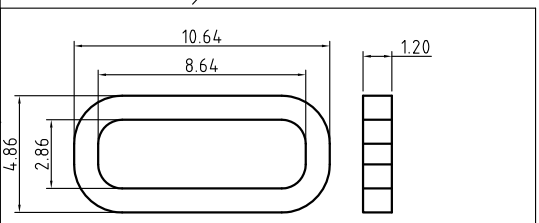
NOTES:  
 1.MATERIAL:  
 1.1 Housing:thermoplastic plastics  
 1.2 terminals:Copper Alloy  
 Gold plated in contact area:  
 Tin plated in termination  
 Nickel Plated overall  
 1.3 Shell:Steel&Copper Alloy  
 Nickel/Au Plated overall  
 2.characteristics:  
 2.1 Rating Voltage : 30V AC.  
 2.2 Rating Current:  
 5A for Vbus PIN;1.25A for Vconn PIN  
 2.3 Contact Resistance:40 mΩ MAX.  
 2.4 Insulation Resistance:100 MΩ MIN.  
 2.5 Withstanding Voltage:AC 100V  
 2.6 Mating force: 5~20N MAX  
 2.7 Extraction force:8~20N Min  
 2.8 Life test:10000Cycles MIN.  
 2.9 Temperature Range: -30℃~+80℃.  
 The product must be compliance ROHS



RECOMMENDED PCB LAYOUT(TOP VIEW)  
 THICKNESS T=1.0mm  
 DEFAULT TOLERANCE+/-0.05

U572-984B-G61038  
 B: 不锈钢镀镍  
 G: 半金G/Fu  
 3: 载带  
 1: 黑色  
 6: LCP

A4	VBUS	B12	GND
A12	GND	B4	VBUS
PIN	SIGNAL NAME	PIN	SIGNAL NAME



建议胶圈尺寸  
 注: 防水圈是厚度1.2mm的  
 硅胶圈, 防水圈被压扁, 由1.2mm挤压到  
 0.7mm ~ 0.8mm, 防水效果好

TOLERANCE UNLESS OTHERWISE SPECIFIED		<b>FLW</b> 深圳市华联威电子科技有限公司			
.XXX ±0.10 .XX ±0.20 .X ±0.30		HUA LIAN WEI TECHNOLOGY ELECTRONICS CO;LTD.			
APPROVED		PART NAME:	TYPE C 4P SMT带耳有柱1.0		
CHECKED		PART No:	U572-984B-G61038	C	
DRAWN	yangguifeng	PROJECTION:	UNIT:	SCALE	SHEET
DATE	2021.12.01		mm	1:1	1 OF 1
				REV.	A

由 Autodesk 教育版产品制作

由 Autodesk 教育版产品制作