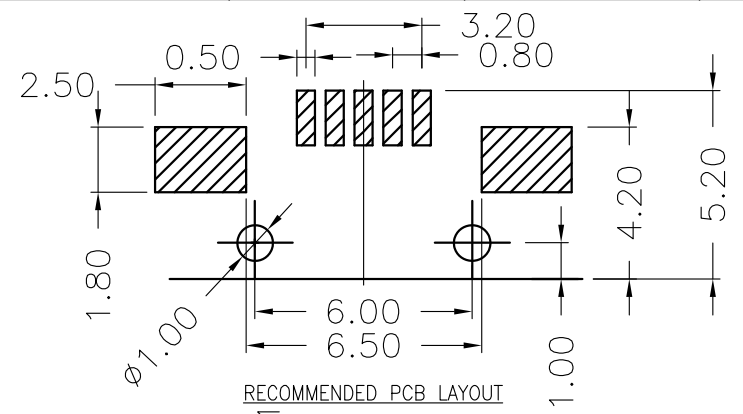
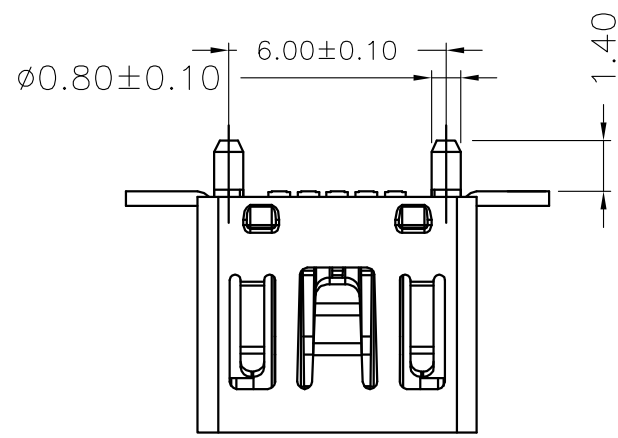
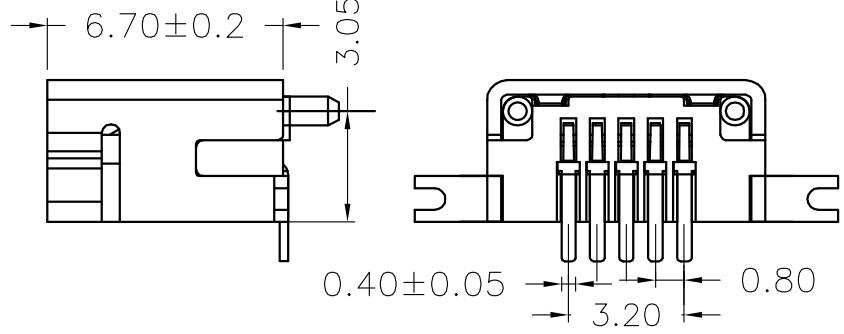
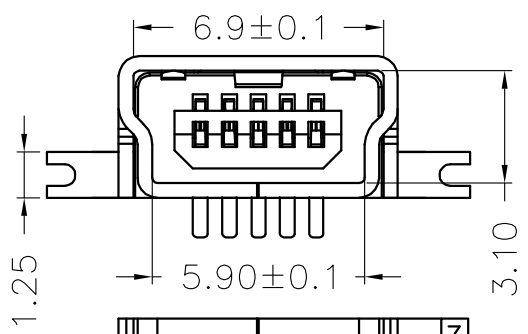


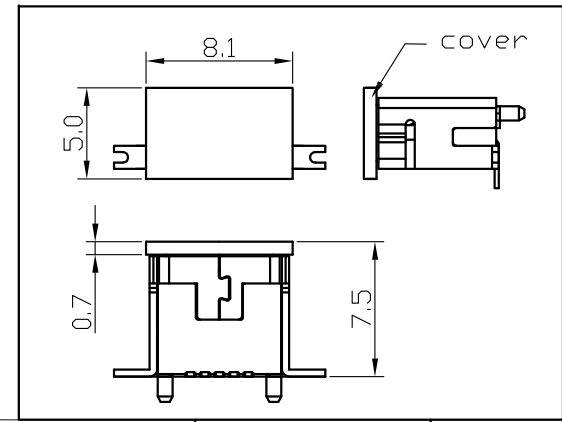
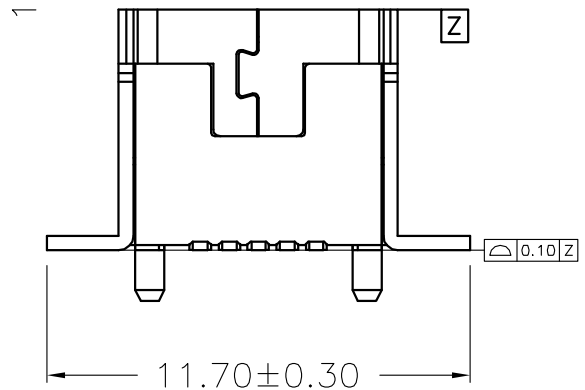
REV.	ECN.NO.	APPD.
AO	/	/



- NOTES:
- MATERIAL:
    - Housing: thermoplastic plastics.
    - terminals: Copper Alloy  
Gold plated in contact area;  
Tin 40u"min plated in termination  
Nickel Plated overall
    - Shell: Steel & Copper Alloy  
Nickel/Tin Plated overall
  - ELECTRICAL CHARACTERISTICS:
    - Rating Current :1.5 Ampere
    - Rating Voltage :30 V Max
    - Contact Resistance:50 Milli ohms
    - Insulation Resistance:100 Mega ohms Min.
  - MECHANICAL CHARACTERISTICS:
    - Connector Mating force: 35N MAX
    - Connector Unmating force:7N min
  - ENVIRONMENT CHARACTERISTICS:
    - Operating temperature: -0°C to +50°C
    - Storage temperature: -20°C to +60°C



- U144-1755-G61018
- 5: 铜壳镀镍
  - G: 半金G/Fu"
  - 1: 吸塑盒
  - 1: 黑色
  - 6: LCP



TOLERANCE UNLESS OTHERWISE SPECIFIED	
.XXX ±0.10	.X' ±3'
.XX ±0.20	.XX' ±2'
.X ±0.30	

**FLW** 深圳市华联威电子科技有限公司  
HUA LIAN WEI TECHNOLOGY ELECTRONICS CO;LTD.

APPROVED		PART NAME:	MINI 5P/F 180度 立式贴片			
CHECKED		PART No:	U144-1755-G61018			C
DRAWN	chenyiting	PROJECTION:	UNIT:	SCALE	SHEET	REV.
DATE	2023.04.21		mm	1:1	10F1	AO