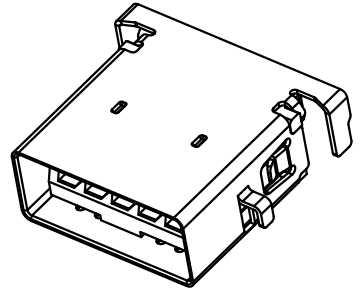
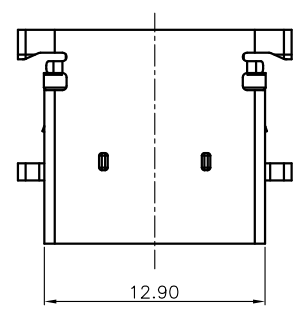
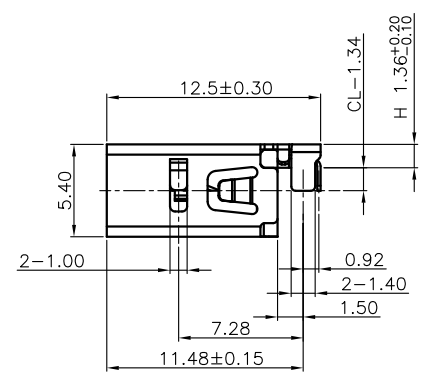
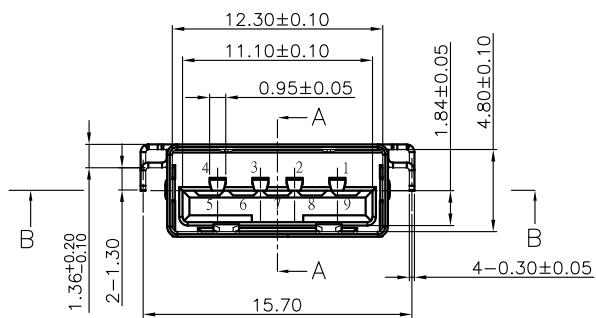


REV.	ECN.NO.	APPD.
A	EXXXXXXXXXX	yangguifeng



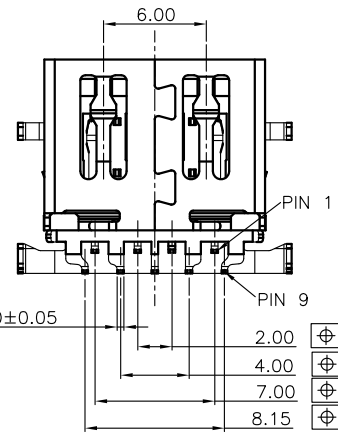
Remark:

- MATERIAL:
 - Housing:thermoplastic plastics.
 - terminals:Copper Alloy
 - Front Shell:Copper Alloy/SPCC.
Middle Shell:SPCC
- characteristics:
 - Rating Voltage : 30V AC.
 - Rating Current:PIN1&PIN4(Vbus&Correponding ground PIN)
1.8A MAX Other PINS 0.25A min.
 - Contact Resistance:PIN1&PIN4:30 mΩ MAX. Other PINS: 50 mΩ
 - Insulation Resistance:100 MΩ MIN.
 - Withstanding Voltage:AC 100V between adjacent contacts
 - Mating force: 3.57Kgf MAX(35N MAX)
 - Extraction force:1Kgf Min(9.8N Min)
 - Life test:1500Cycles MIN.
 - Temperature Range: -30℃~+80℃.



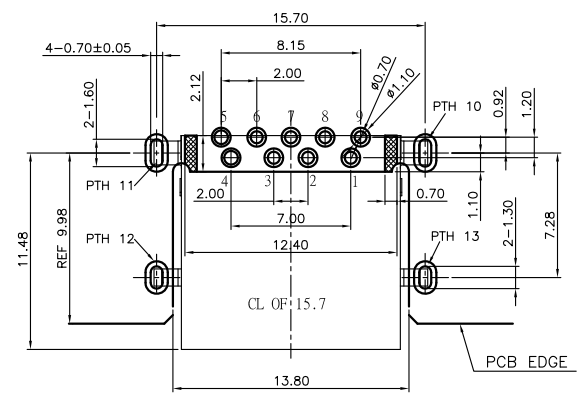
U327-101B-G27017

B: 不锈钢镀镍
G: 半金G/Fu
1: 吸塑盒
2: PBT
7: 蓝色



2.00	⊕ 0.10
4.00	⊕ 0.10
7.00	⊕ 0.10
8.15	⊕ 0.10

(BOTTOM VIEW)



RECOMMENDED PCB LAYOUT (TOP VIEW)
 KEEP OUT AREA

TOLERANCE UNLESS OTHERWISE SPECIFIED	
.XXX ±0.10	.X' ±3'
.XX ±0.20	.XX' ±2'
.X ±0.30	

FLW 深圳市华联威电子科技有限公司
 HUA LIAN WEI TECHNOLOGY ELECTRONICS CO;LTD.

APPROVED		PART NAME:	3.0 AF 90度沉板1.36反向			
CHECKED		PART No:	U327-101B-G27017			C
DRAWN	yangguifeng	PROJECTION:	UNIT:	SCALE	SHEET	REV.
DATE	2021.12.01		mm	1:1	1 OF 1	A