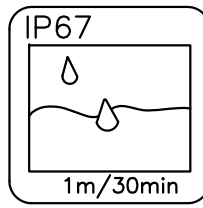
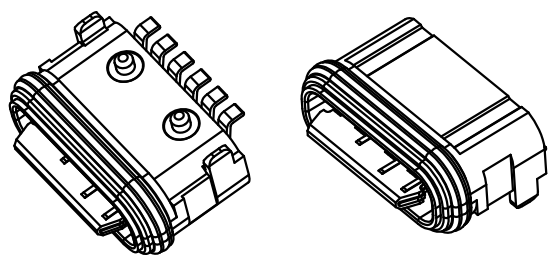
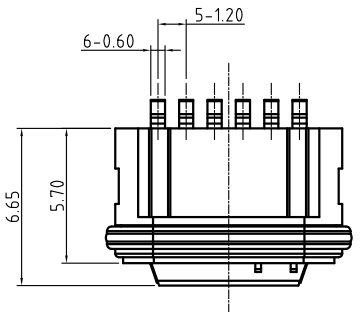
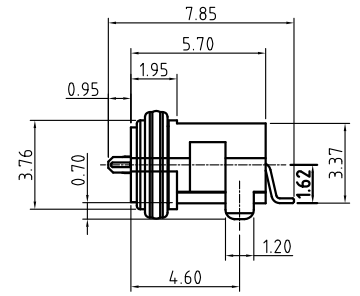
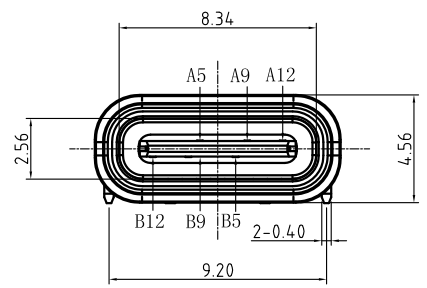


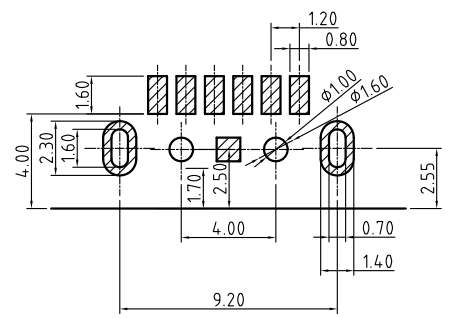
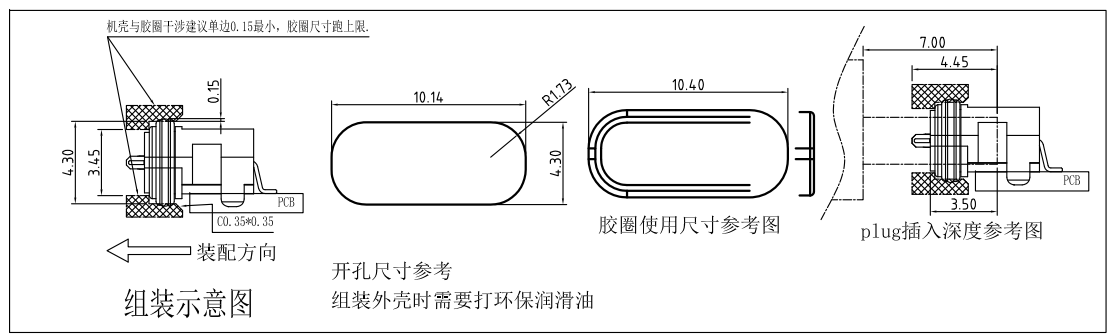
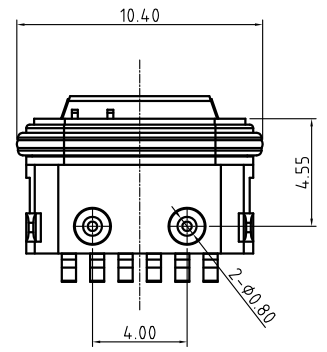
REV.	ECN.NO.	APPD.
A	EXXXXXXXXXX	yangguifeng



NOTES:  
 1.MATERIAL:  
 1.1 Housing:thermoplastic plastics  
 1.2 terminals:Copper Alloy  
     Gold plated in contact area:  
     Tin plated in termination  
     Nickel Plated overall  
 1.3 Shell:Steel&Copper Alloy  
     Nickel/Au Plated overall  
 2.characteristics:  
 2.1 Rating Voltage : 30V AC.  
 2.2 Rating Current:  
     5A for Vbus PIN;1.25A for Vconn PIN  
 2.3 Contact Resistance:40 mΩ MAX.  
 2.4 Insulation Resistance:100 MΩ MIN.  
 2.5 Withstanding Voltage:AC 100V  
 2.6 Mating force: 5~20N MAX  
 2.7 Extraction force:8~20N Min  
 2.8 Life test:10000Cycles MIN.  
 2.9 Temperature Range: -30℃~+80℃.  
 The product must be compliance ROHS



U572-641B-G91038  
 B: 不锈钢镀镍  
 G: 半金G/Fu  
 9: PA10T  
 3: 载带  
 1: 黑色



RECOMMENDED P. C. B LAYOUT  
 TOP VIEW (TOLRANCE: ±0.05)

A5	CC1	B12	GND
A9	VBUS	B9	VBUS
A12	GND	B5	CC2
PIN	SIGNAL NAME	PIN	SIGNAL NAME

TOLERANCE UNLESS OTHERWISE SPECIFIED		<b>FLW</b> 深圳市华联威电子科技有限公司 HUA LIAN WEI TECHNOLOGY ELECTRONICS CO				
.XXX ±0.10	.XX ±0.20	.X ±0.30	X' ±3'	XX' ±2'	PART NAME: TYPE C 6P 拉伸款	
APPROVED			CHECKED	PART No: U572-641B-G91038		C
DRAWN	yangguifeng	PROJECTION:	UNIT:	SCALE:	SHEET:	REV.:
DATE	2021.12.01		mm	1:1	1 OF 1	A