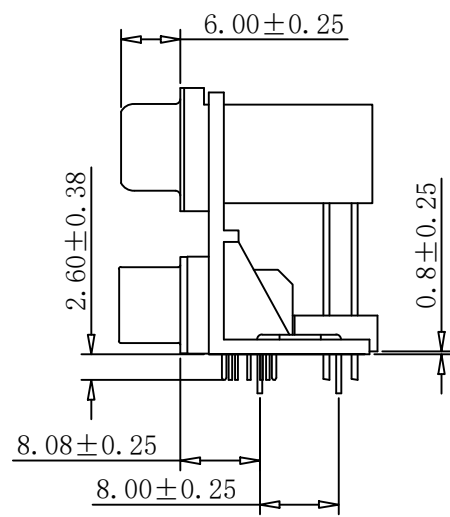
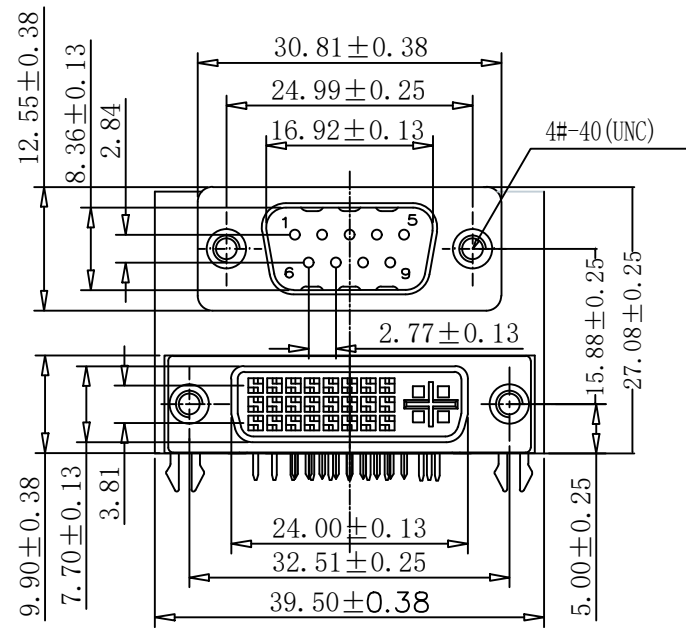


REV.	ECN.NO.	APPD.
A	EXXXXXXXXXX	yangguifeng

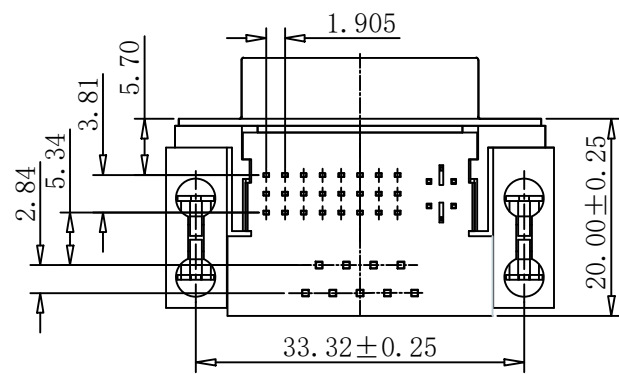
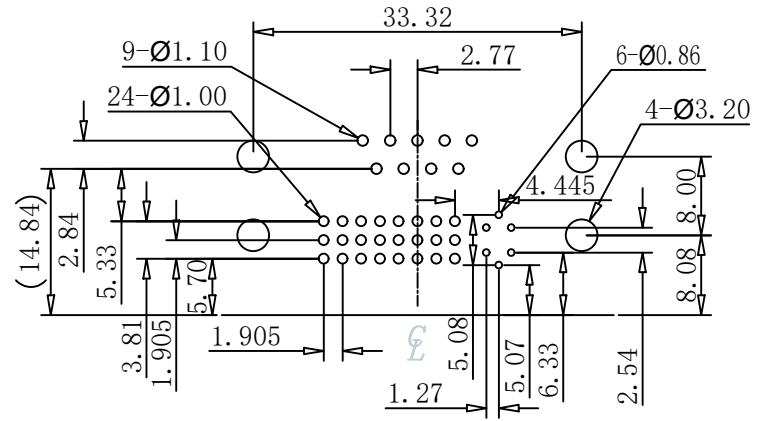


1. SPECIFICATION

- 2.1 Current Rate: 5 Amps
- 2.2 Insulator Resistance: 1000MΩ Min.
- 2.3 Dielectric Strength: 500V AC PER MIN
- 2.4 Operation Temperature: -55C ~ +105C °
- 2.5 Contact Resistance: 30mΩ Max

DS414-0631-G2T8

1: 铁壳镀镍 T: 上绿下白
G: 半金G/Fu 2: PBT



TOLERANCE UNLESS OTHERWISE SPECIFIED		深圳市华联威电子科技有限公司 HUA LIAN WEI TECHNOLOGY ELECTRONICS CO; LTD.			
.XXX ±0.10	.XX ±0.20	.X ±0.30	.X ±3'	.XX ±2'	
APPROVED		PART NAME:	DR9公+DVI24+5母鱼叉脚脚合卧式		
CHECKED		PART No:	DS414-0631-G2T8		C
DRAWN	yangguifeng	PROJECTION:	UNIT:	SCALE	SHEET
DATE	2021.12.01		mm	1:1	1 OF 1
					REV. A