

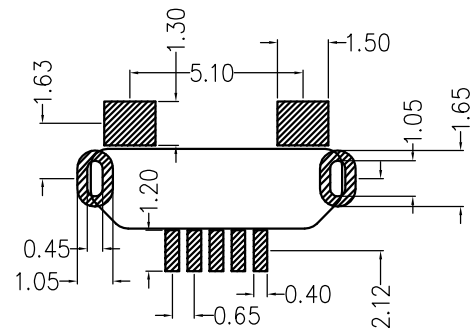
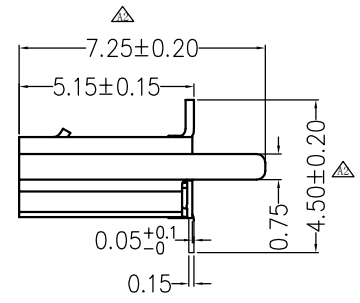
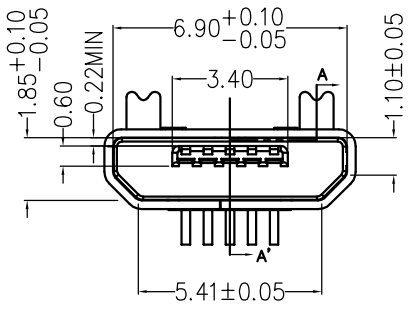
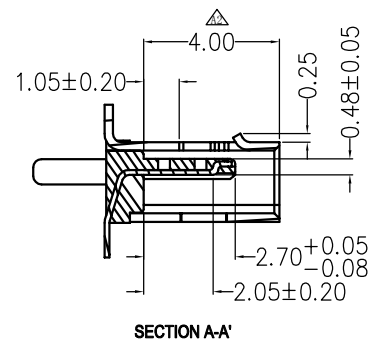
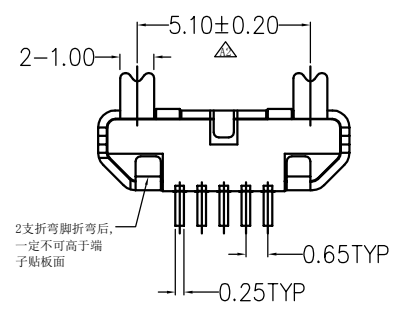
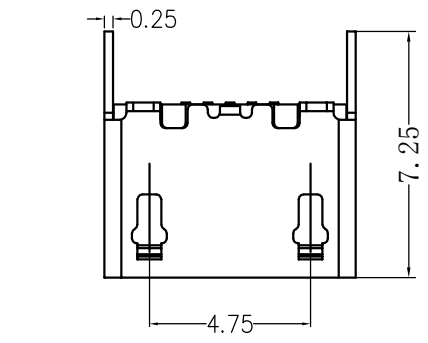
REV.	ECN.NO.	APPD.
A	XXXXXXXXXX	Qinyuhua

- NOTES:
- MATERIAL:
 - Housing: thermoplastic plastics,
 - terminals: Copper Alloy
Gold plated overall
 - Shell: Steel & Copper Alloy
Nickel/Tin Plated overall
 - ELECTRICAL CHARACTERISTICS:
 - Rating Current :1.5 Ampere
 - Rating Voltage :30 V Max
 - Contact Resistance:50 Milli ohms
 - Insulation Resistance:100 Mega ohms Min.
 - MECHANICAL CHARACTERISTICS:
 - Connector Mating force: 35N MAX
 - Connector Unmating force:7N min
 - ENVIRONMENT CHARACTERISTICS:
 - Operating temperature: -0°C to +50°C
 - Storage temperature: -20°C to +60°C

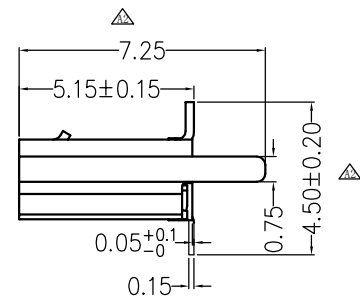
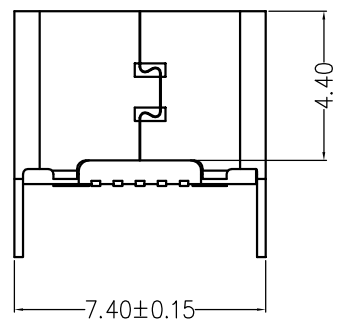
U421-011B-G61018

B: 不锈钢壳镀镍
G: 半金G/Fu

1: 吸塑盒
1: 黑色
6: LCP



RECOMMENDED PCB LAYOUT
TOLERANCE: ±0.05



TOLERANCE UNLESS OTHERWISE SPECIFIED		FLW 深圳市华联威电子科技有限公司				
.XXX ±0.10 .XX ±0.20 .X ±0.30		.X' ±3' .XX' ±2'		HUA LIAN WEI TECHNOLOGY ELECTRONICS CO;LTD.		
APPROVED		PART NAME:	MICRO 5P 立贴SMT 脚长2.0 无卷边 加塞			
CHECKED		PART No:	U421-011B-G61018	C		
DRAWN	chenyiting	PROJECTION:	UNIT:	SCALE:	SHEET:	REV.:
DATE	2022.06.02		mm	1:1	10F1	A

由 Autodesk 教育版产品制作

由 Autodesk 教育版产品制作