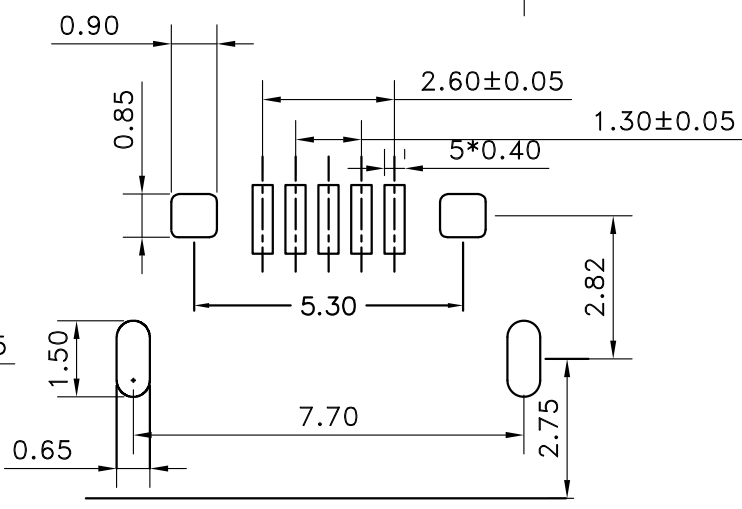
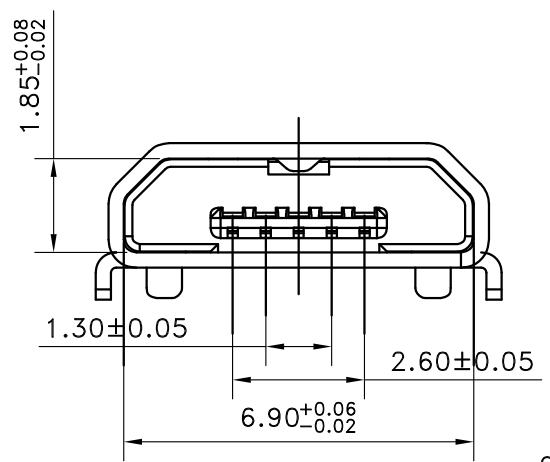
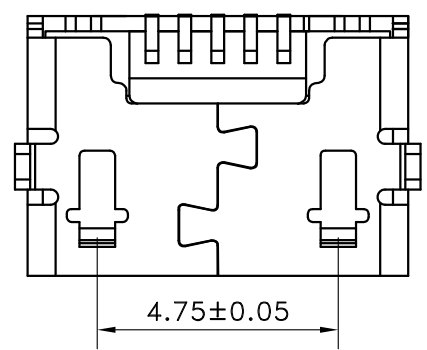
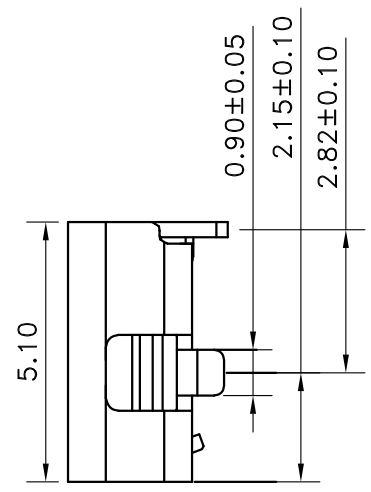
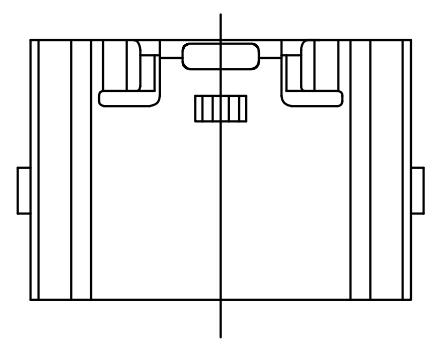
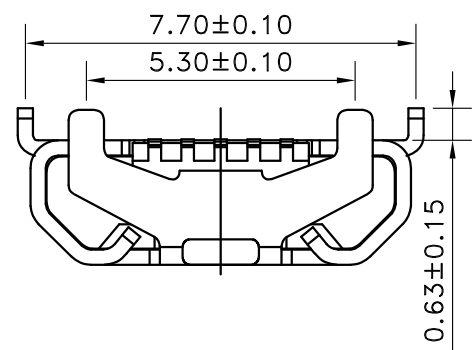


REV.	ECN.NO.	APPD.
AO	/	/



PCB LAYOUT

- NOTES:
- MATERIAL:
    - Housing: thermoplastic plastics,
    - terminals: Copper Alloy  
Gold plated overall
    - Shell: Steel & Copper Alloy  
Nickel/Tin Plated overall
  - ELECTRICAL CHARACTERISTICS:
    - Rating Current : 1.5 Ampere
    - Rating Voltage : 30 V Max
    - Contact Resistance: 50 Milli ohms
    - Insulation Resistance: 100 Mega ohms Min.
  - MECHANICAL CHARACTERISTICS:
    - Connector Mating force: 35N MAX
    - Connector Unmating force: 7N min
  - ENVIRONMENT CHARACTERISTICS:
    - Operating temperature: -0°C to +50°C
    - Storage temperature: -20°C to +60°C

U442-5016-161038

6: 铜壳镀雾锡  
1: 半金1u"  
3: 载带  
1: 黑色  
6: LCP

TOLERANCE UNLESS OTHERWISE SPECIFIED		<b>FLW</b> 深圳市华联威电子科技有限公司 HUA LIAN WEI TECHNOLOGY ELECTRONICS CO;LTD.			
.XXX ±0.10	.XX ±0.20	.X ±0.30	.X' ±3'	.XX' ±2'	
APPROVED		PART NAME:	MICRO 5P/F 牛角无卷边反向		
CHECKED		PART No:	U442-5016-161038	C	
DRAWN	weihong	PROJECTION:	UNIT:	SCALE	SHEET
DATE	2021. 10. 6		mm	1:1	10F1
					REV. AO