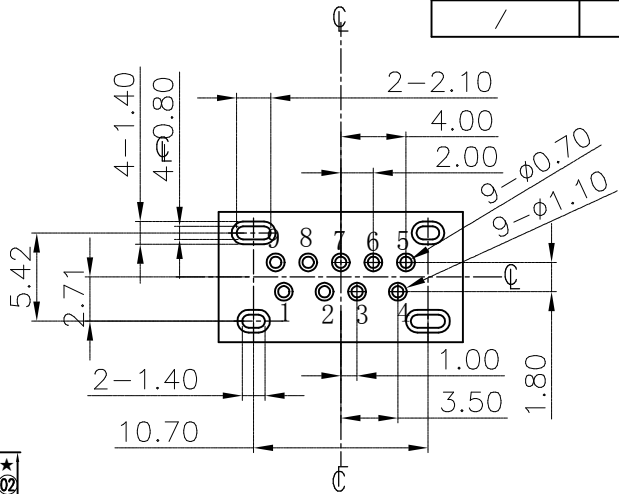
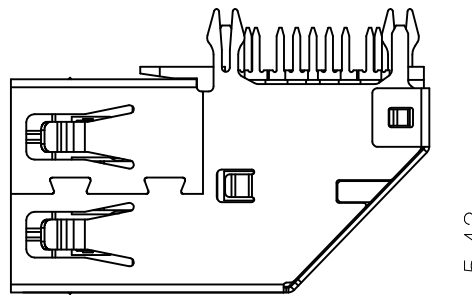


ECN.NO.	ECN DESCRIPTION	REV.	DATE	APPD.
/	新版发行	A	2016.06.18	Hexing

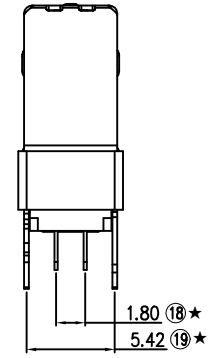
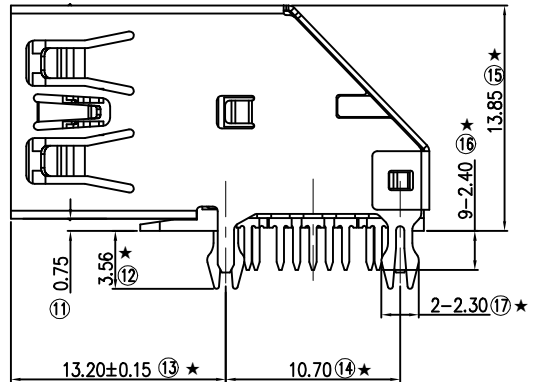
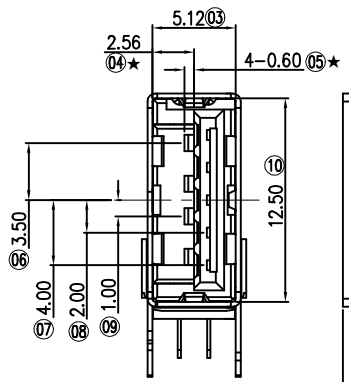
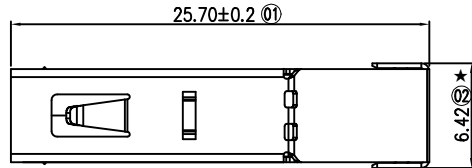


PCB LAYOUT (TOP VIEW)

**SPECIFICATIONS:**  
 Contact current Rating:  
 1.8 Amperes for pin1&pin4.  
 0.25 Amperes other contacts  
 Dielectric Withstanding Voltage:AC 100V(RMS)  
 Insulation resistance:100Megohms Minimum.  
 Contact Resistance:  
 30mΩ Max for pin1&pin4  
 50mΩMax for other contacts  
 Mechanical Characteristics:  
 Mating Force:35 Newtons.Maximum  
 Unmating Force:10 Newtons.Minimum.  
 8N Min After Durability

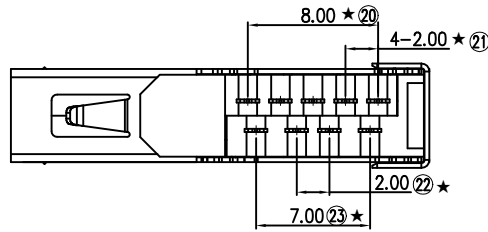
**MATERIAL:**  
 Housing: PBT Blue  
 Contact: copper alloy( T=0.20mm)  
 Shell: SUS

**PLATING:**  
 Contact: Gold Falsh Plated on contact area  
 Tin Plated on solder area  
 Nickel underplating over all  
 Shell: Nickel Plated  
 operating Temperature:-55°to+85°



U326-023X-XXX011

- B: 不锈钢镀镍
- 5: 铜壳镀镍
- 1: 吸塑盒
- 1: 黑色
- 7: 蓝色300C
- 8: 蓝色300C-1
- 9: 碳黑425C
- 1: 半金1u"
- 3: 半金3u"
- 5: 半金5u"
- 8: 半金15u"
- 1: PA66
- 2: PBT
- 6: LCP



Pin Number	Signal Name	Pin Number	Signal Name
1	VBUS	5	SSRX-
2	D-	6	SSRX+
3	D+	7	GND
4	GND	8	SSTX-
Shell	Shield	9	SSTX+

TOLERANCE UNLESS OTHERWISE SPECIFIED	
.XXX ±0.10	.X' ±3'
.XX ±0.20	.XX' ±2'
.X ±0.30	
APPROVED	
CHECKED	
DRAWN	Hexing
DATE	2016.06.18

**FLW 深圳市华联威电子科技有限公司**  
 HUA LIAN WEI TECHNOLOGY ELECTRONICS CO;LTD.

PART NAME: USB 3.0 AF 侧插90度 无卷边

PART No: U326-023X-XXX011

PROJECTION: UNIT: mm SCALE: 1:1 SHEET: 10F1 REV: A