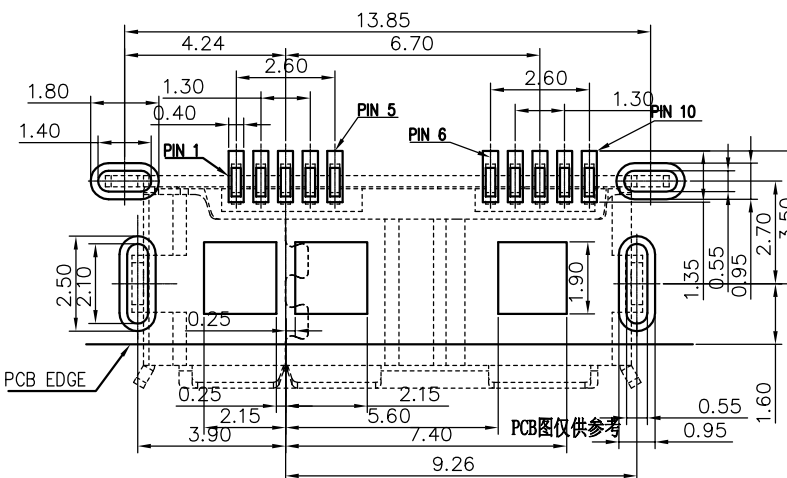
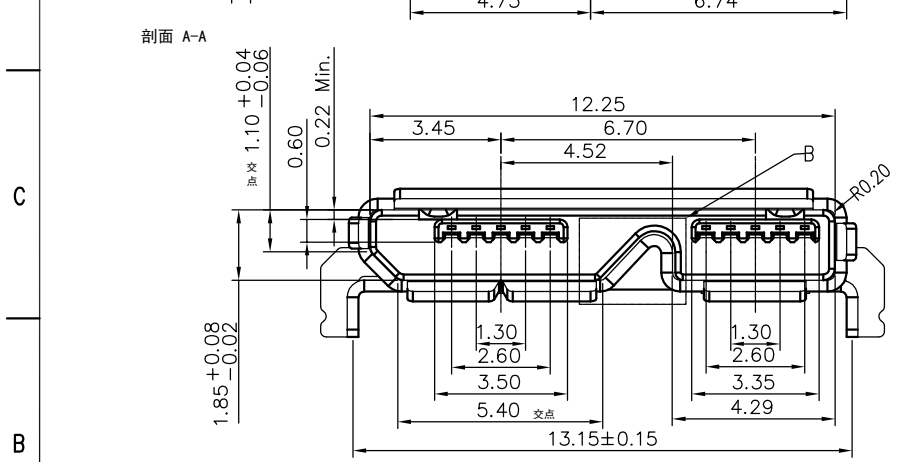
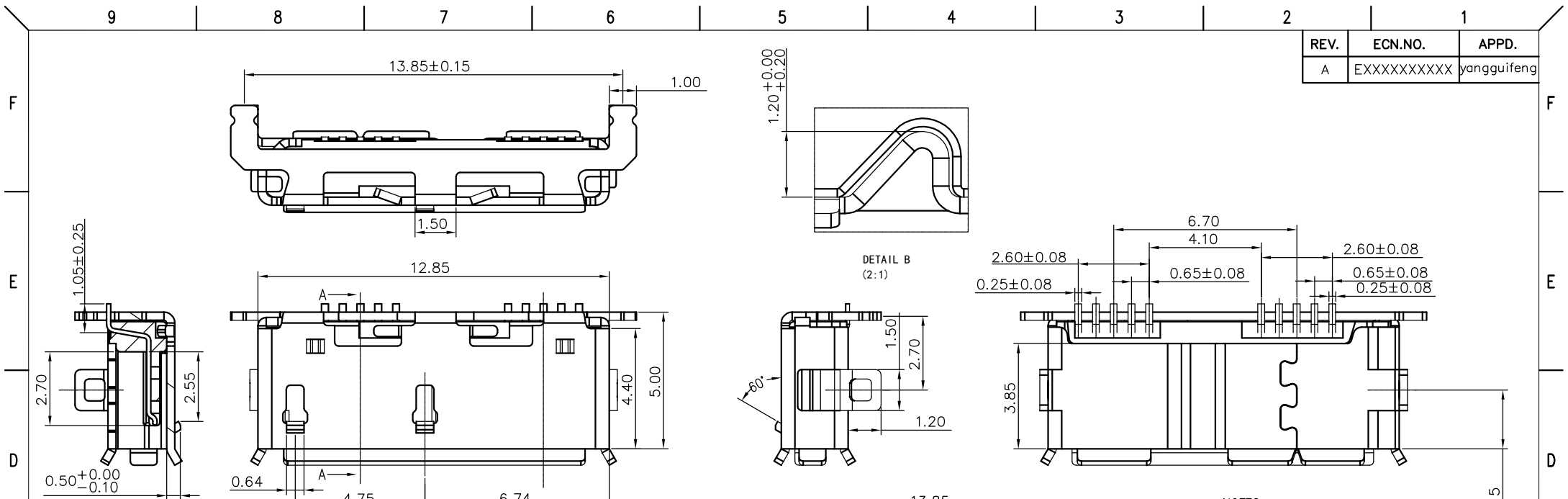


REV.	ECN.NO.	APPD.
A	XXXXXXXXXX	yangguifeng



- NOTES:
- MATERIAL:
 - Housing: thermoplastic plastics,
 - terminals: Copper Alloy
 - Shell: Steel&Copper Alloy
 - ELECTRICAL CHARACTERISTICS:
 - Rating Current :1.5 Ampere
 - Rating Voltage :30 V Max
 - Contact Resistance:50 Milli ohms
 - Insulation Resistance:100 Mega ohms Min.
 - MECHANICAL CHARACTERISTICS:
 - Connector Mating force: 35N MAX
 - Connector Unmating force: 7N min
 - ENVIRONMENT CHARACTERISTICS:
 - Operating temperature: -0℃ to +50℃
 - Storage temperature: -20℃ to +60℃

U442-A11B-G61038

B: 不锈钢镀镍
G: 半金G/Fu
3: 载带
1: 黑色
6: LCP

Pin No.	Signal Name	Description	Mating Sequence
1	VBUS	Power	Second
2	D-	USB 2.0 differential pair	Last
3	D+		
4	ID	OTG identification	
5	GND	Ground for power return	Second
6	MicA_SSTX-	SuperSpeed transmitter differential pair	Last
7	MicA_SSTX+		
8	GND_DRAIN	Ground for SuperSpeed signal return	Second
9	MicA_SSRX-	SuperSpeed receiver differential pair	Last
10	MicA_SSRX+		
Shell	Shield	Connector metal shell	First

TOLERANCE UNLESS OTHERWISE SPECIFIED	
.XXX ±0.10	.X' ±3°
.XX ±0.20	.XX' ±2°
.X ±0.30	

HLW 深圳市华联威电子科技有限公司
HUA LIAN WEI TECHNOLOGY ELECTRONICS CO;LTD.

APPROVED		PART NAME:	MICRO 3.0牛角有卷边四脚插			
CHECKED		PART No:	U442-A11B-G61038		C	
DRAWN	yangguifeng	PROJECTION:	UNIT:	SCALE	SHEET	REV.
DATE	2021.12.01		mm	1:1	1 OF 1	A